

BlueFors



CRYOGENICS

BF-H400

HORIZONTAL CRYOGEN-FREE
DILUTION REFRIGERATOR SYSTEM

User manual

February, 2012
Version 1.3.2

Contents

1. Introduction.....	5
1.1. General.....	5
1.2. Dilution refrigerator operation principle.....	5
2. System description.....	11
2.1. The Gas Handling System (GHS).....	11
2.2. The Control Unit (CU).....	14
2.3. The cryostat and Dilution Refrigerator (DR).....	21
2.3.1 General cryostat layout	21
2.3.2 Wiring / thermal anchoring.....	21
3. Installation	26
3.1. Unpacking.....	26
3.2. Installing the system components	26
3.3. Software installation	27
4. Operation	28
4.1. Preparing a cooldown	28
4.2. Cooldown.....	31
4.3. Continuous operation.....	39
4.4. Warm up.....	40
5. Remote Control.....	43
5.1. ValveControl installation and layout-files.....	43
5.2. ValveControl software	46
5.3. Running scripts	48
5.4. Basic scripts	49
6. Service	50

6.1.	Connection warnings	50
6.2.	Pumps and compressors in the GHS	52
6.3.	PT and PT compressor	55
6.4.	Cleaning the external cold trap	55
7.	Attachments	57
7.1.	Flow diagram	57
7.2.	NI DAQ.....	58
7.3.	Layout file (example).....	59
7.4.	System valve diagram	60
7.5.	Circuit diagrams.....	61
7.6.	Flow meter schematics.....	69
7.7.	Scripts	75

Table of Figures

Figure 1. Phase diagram of He-3/He-4.	6
Figure 2. Details of 50K flanges and condensing line.	7
Figure 3. Dilution refrigerator principal parts.	9
Figure 4. Vapor pressures of He-3 and He-4.	10
Figure 5. Gas handling system (GHS) main components.	12
Figure 6. GHS main components.	13
Figure 7. GHS electrical box.	14
Figure 8. Control Unit (CU).	15
Figure 9. Main circuit board.	16
Figure 10. Control Unit main components.	17
Figure 11. Control buttons, on/off.	18
Figure 12. Control panel backside with push button distribution circuit board.	19
Figure 13. NI DAQ.	20
Figure 14. Cryostat insert layout.	22
Figure 15. DR wiring connector box.	23
Figure 16. Heater Box.	25

Figure 17. Heater Box with top cover open.....	25
Figure 18. Mixture tank manual valve.....	30
Figure 19. Example of system cooldown curve, still temperature as a function of time.....	34
Figure 20. Back pressure valve BPV1.	36
Figure 21. Needle valve and BVP valves 3 and 2 (left and right side respectively).	37
Figure 22. Backing pressure valve BPV3.....	38
Figure 23. Vent port with flow restriction.....	42
Figure 24. Compressor service warning.	50
Figure 25. Condensing line top connection warning.	51
Figure 26. Condensing line top connection warning, part 2.	51
Figure 27. Location of manual close-off valve in the main circulation circuit.....	53

1. Introduction

1.1. General

The BlueFors cryogen-free Dilution Refrigerator (DR) systems consist of 3 basic components:

- The cryostat and support frame.
- The Gas Handling System (GHS) and Pulse Tube (PT) compressor.
- The Control Unit (CU).

On system arrival all of these components have to be unpacked and connected with each other to make up a working system (see Chapter 3). To get a better understanding of your system, the remainder of this chapter is devoted to the basic operation principle of the DR and Chapter 2 to detailed description of the system.

1.2. Dilution refrigerator operation principle

DR systems are the only refrigerator systems that provide continuous cooling power at temperatures below 300 mK. They can provide temperatures <10 mK and operate without moving parts at the low temperature stages. A DR uses the heat of mixing of the two isotopes of helium, ^3He and ^4He , to obtain cooling. In order to be able to run the dilution refrigerator's cooling cycle, one should first obtain a starting temperature of about liquid helium (4.2 K) or below.

The cooling cycle is possible due to special and fortunate properties of $^3\text{He}/^4\text{He}$ mixtures at low temperatures. At saturated vapor pressure pure ^4He undergoes a phase transition at 2.17 K from a normal fluid into a superfluid (resulting in completely different properties of the two isotopes below this transition temperature). Diluting the ^4He with ^3He results in a decreasing superfluid transition temperature, see Figure 1. At temperatures below 0.8 K (depending on concentration) the $^3\text{He}/^4\text{He}$ mixture will separate into two phases: a ^3He rich phase (concentrated phase) and a ^3He poor phase (dilute phase). Approaching absolute zero temperature, the concentrated phase becomes pure ^3He while in the dilute ^4He rich phase there



remains 6.4% of 3-He. The enthalpy of 3-He in the dilute phase is larger than in the concentrated phase. Hence energy is required to move 3-He atoms from the concentrated to the dilute phase. In a DR this energy is taken from a well isolated environment (the mixing chamber), so cooling will occur.

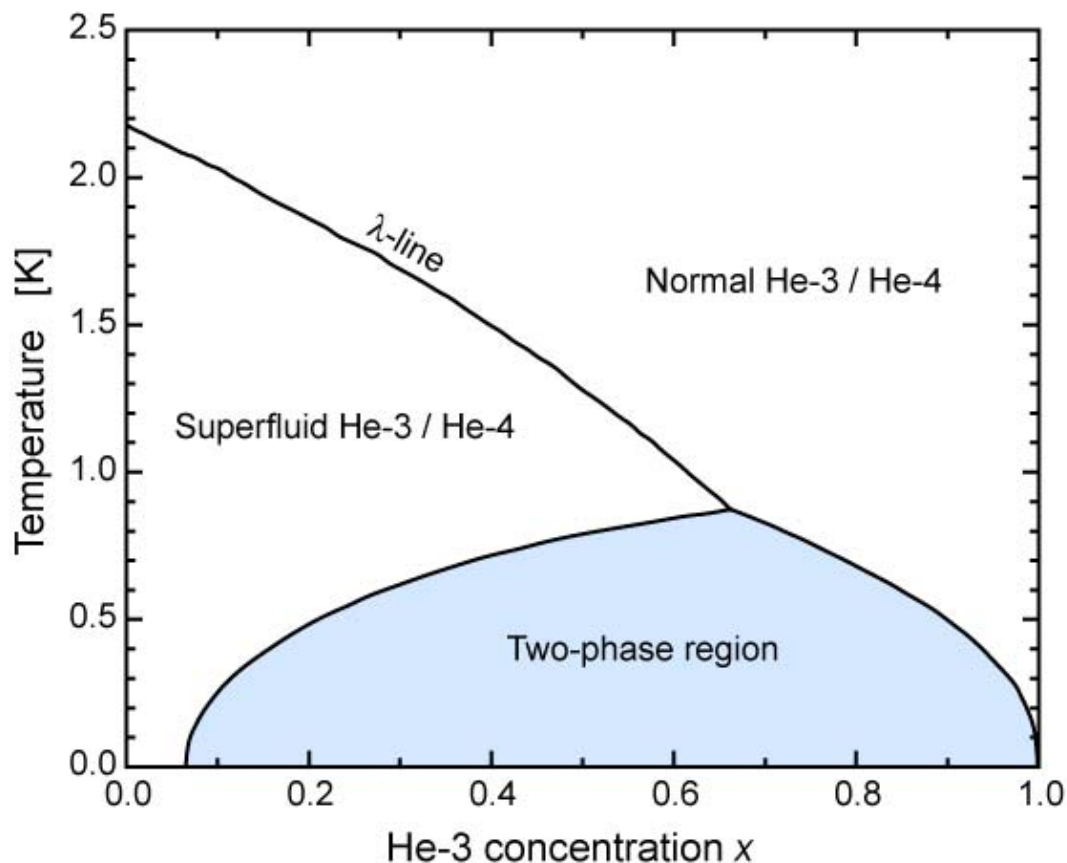


Figure 1. Phase diagram of He-3/He-4.

A traditional (not cryogen-free) DR is situated inside a separate vacuum can which is surrounded by liquid helium (4.2 K). Initially the DR is pre-cooled to 4.2 K by admitting exchange gas into this inner vacuum can. In addition to the pre-cool from room temperature to 4.2K, the liquid helium bath serves as a low temperature radiation shield and it pre-cools the incoming 3-He gas which is circulated in the DR. In this system the Cryomech Inc. Pulse Tube (PT) cooler delivers low enough temperatures to start the DR cycle. The flanges of the 50K and quasi-4K radiation shield are connected to the two stages of the pulse tube (see Figure 2). This is done through flexible copper braids to damp any possible vibration caused by the PT. The whole radiation shield assembly is in one common vacuum space to thermally isolate

it from its surroundings. The incoming 3-He gas is pre-cooled to <math><4.2\text{ K}</math> by different heat exchangers. First there is a cold trap at approximately 50K (see Figure 2), which takes any out any contamination of circulation by freezing it but also serves as a heat exchanger. After that the incoming gas is thermalized at the regenerator tube and the 2nd stage of the PT (see Figure 2).

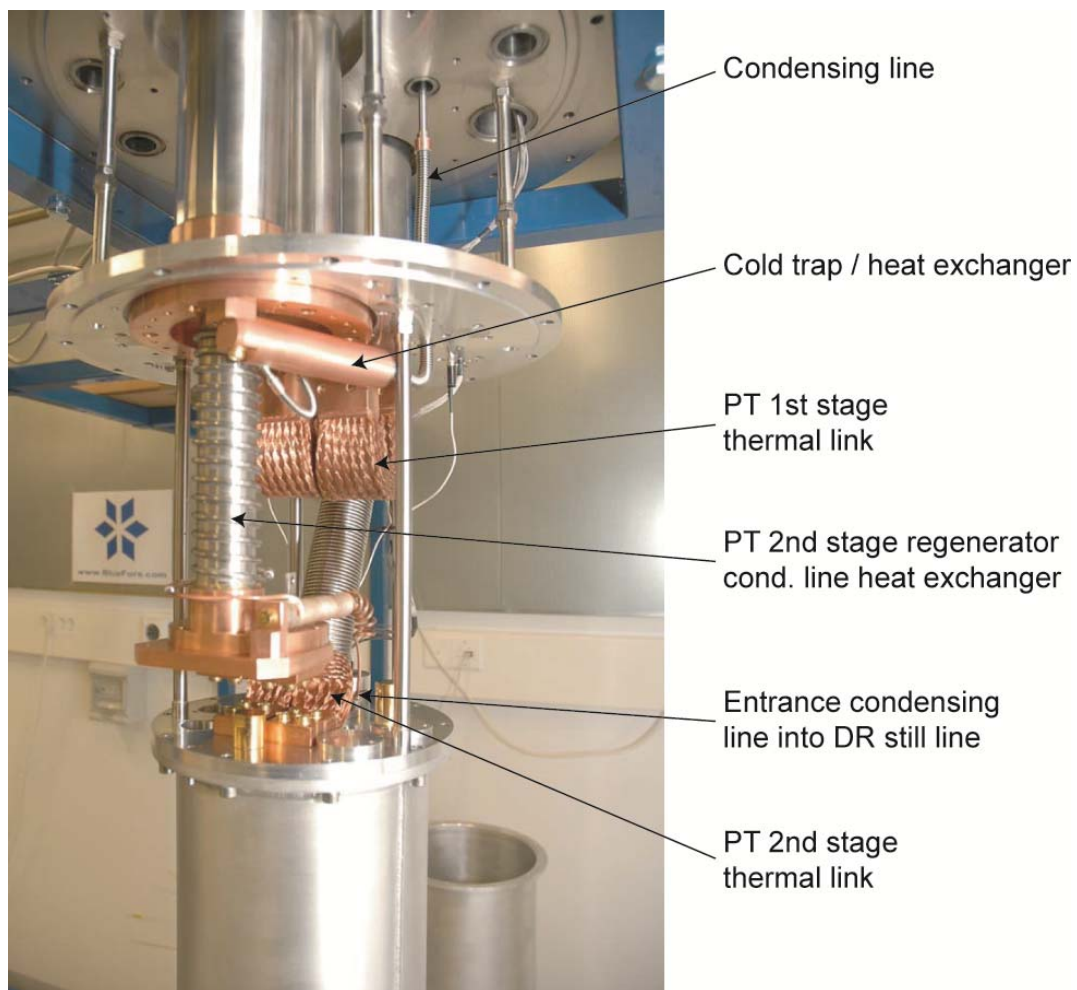


Figure 2. Details of 50K flanges and condensing line (model BF-SD250).

Figure 3 shows the principle parts (and their typical operation temperature) of our DR: quasi 4K flange, still, heat exchangers, mixing chamber and heat switches. The heat switches are needed because our system has only one common vacuum can which makes the use of exchange gas not feasible. Hence they are used for the initial pre-cool of the DR with the PT from room temperature to low enough starting temperature (approximately 4.2 K). Heat switches (HS) are installed between the quasi 4K-

flange and the still (HS-STILL) and between the still and mixing chamber (HS-MC). After the pre-cool they should break the thermal contact with the PT in order for the DR to function. The heat switches consist of two copper heat exchanger parts, one on the high and on one the low temperature side, that are separated by a stainless steel tube which has poor thermal conductivity. The heat switches are filled with helium gas that conducts the heat between the two copper heat exchanger parts. On the top of each heat switch is an outlet that connects to an active carbon pump. When the active carbon gets cold enough, approximately $<10\text{K}$, it absorbs all the helium gas inside the switch. At this point the heat switch is closed because it can only conduct heat to the stainless steel body. In order to switch the heat switches to the open position, small heaters are used to release the gas from the active carbon pumps. The heaters are controlled from the connector box at the top of the cryostat (see Figure 15 and Section 2.3). **Note:** The heat switches between the quasi 4K plate and still also serve as the support structure of the main heat exchangers and mixing chamber.

After the DR is pre-cooled to $<4.2\text{ K}$, the 3-He/4-He mixture has to be condensed into the system. With a compressor the pressure of the helium mixture is raised to about 2 bar. The heat exchangers in the incoming condensing line pre-cool the pressurized mixture to low enough temperature for it to (partly) condense after the main flow impedance of the system (because of the Joule-Thomson effect). In our system the condensing line enters the still pumping line just above the quasi 4K flange (see Figure 2). The flow impedance is located inside the top part of the still. After all mixture is condensed it makes up enough liquid to fill the mixing chamber, heat exchangers and part of the still. The DR is now started by pumping the still. The helium pumped away from the still is returned into the system through the condensing line. Pumping the still will result in evaporative cooling, dropping its temperature to $<0.8\text{ K}$. Hence phase separation of the mixture will occur (see Figure 1). Because of gravity, the heavier 4-He rich (dilute) phase will start to collect on the bottom of the mixing chamber. Eventually the dilute and concentrated phase will settle as shown in Figure 3.



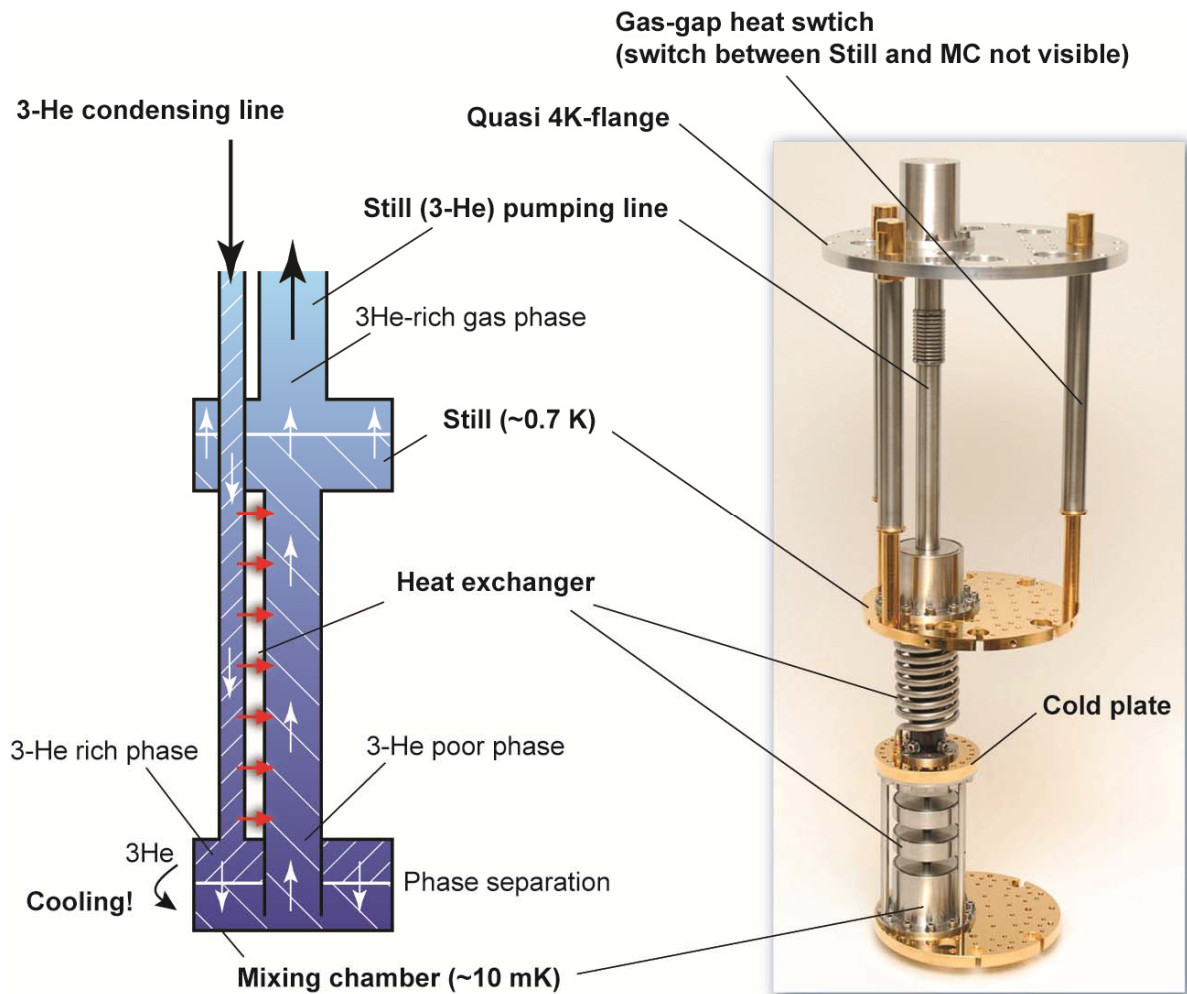


Figure 3. Dilution refrigerator principal parts.

In this state the helium pumped away from the dilute phase of the still is almost pure 3-He. This is because of the large difference in vapor pressure between 3-He and 4-He (see Figure 4). The 3-He is returned into the condensing line of the DR and pre-cooled against a counter flow heat exchanger. In the mixing chamber it is forced through the phase boundary, which results in cooling. An osmotic pressure (due to the lack of 3-He in the still due to pumping) drives the 3-He in the diluted stream from the mixing chamber back to the still. The cooling power of the system mainly depends on the amount of 3-He atoms crossing the phase boundary, ie. on the flow rate. To obtain a high enough flow rate, heat should be applied to the still to raise its temperature, hence its vapor pressure, resulting in a higher throughput of the circulation pumping system. In general the performance of a dilution refrigerator

largely depends on the efficiency of the counter-flow heat exchanger and pumping system.

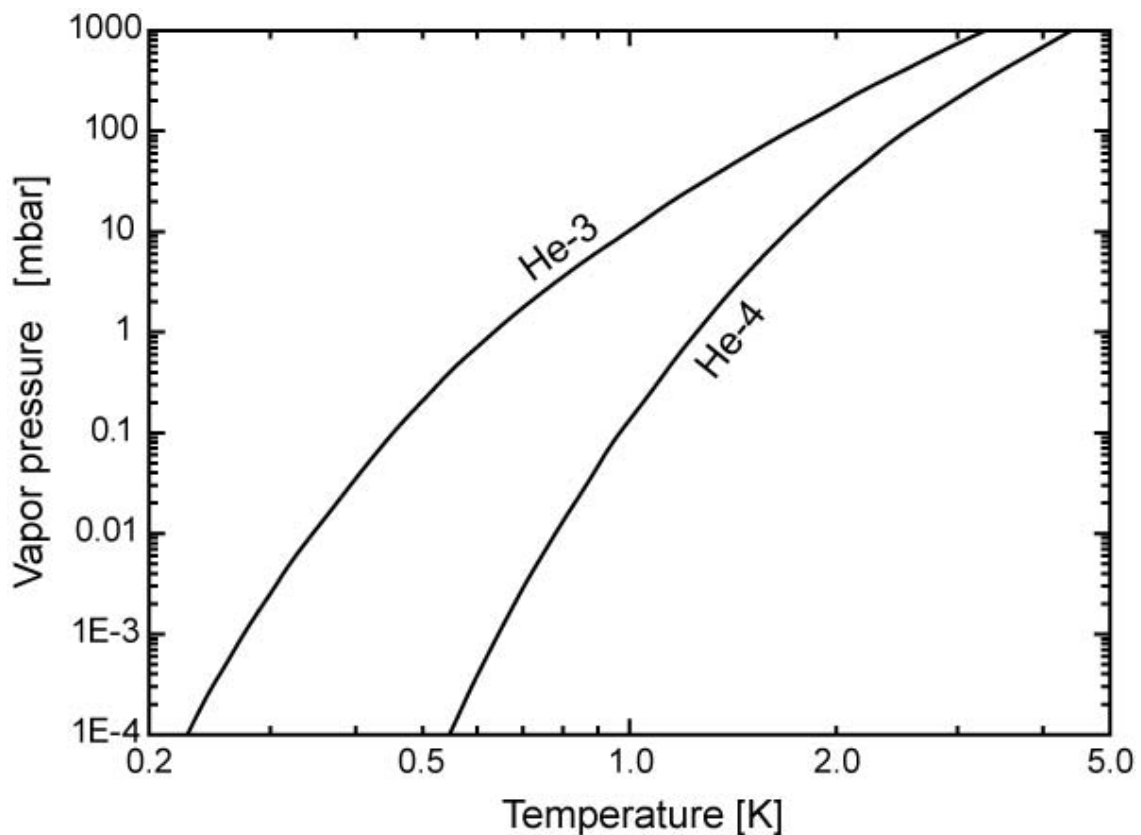


Figure 4. Vapor pressures of He-3 and He-4.

In our system the compressor which is used to condense the mixture can be bypassed in normal operation of the system. An extra counter-flow heat exchanger inside the still pumping line below the quasi 4K flange uses the enthalpy of the cold 3-He gas which is pumped away from the still to pre-cool the incoming 3-He stream. Partly due to this heat exchanger the temperature of the incoming stream will get low enough for the system to settle at a condensing pressure <1 bar, still resulting in sufficient liquefaction at the main flow impedance.

2. System description

2.1. The Gas Handling System (GHS)

The GHS of the BF-H400 system is contained in a single cabinet (see Figure 5, Figure 6). It contains all pumps, pumping lines, valves, pressure gauges, etc, which are necessary to operate the entire system. Because of acoustic noise this unit is preferably placed in a separate room from the cryostat, together with the Cryomech pulse tube compressor. The flow diagram of the GHS is shown in Attachment 7.1. As outlined in the diagram, it basically consists of two halves; the **main circulation circuit** and the **service manifold**. These two halves can be interconnected at different stages through valves *V15*, *V17* and *V18*.

Important: The main circulation circuit is a closed circuit that contains the (expensive!!) 3-He/4-He mixture. Always pay extra attention when connecting the service manifold with the main circulation circuit in order not to lose any mixture.

To save space and reduce the chance of leaks, the bulk part of the interconnecting tubes and vacuum valves are integrated in a single aluminum block, custom developed in cooperation with VAT Vacuum Valves AG (see Main valve block in Figure 5). All the valve actuators on this manifold are standard VAT parts which in the unlikely case of a failure can be easily and quickly replaced.

The commonly used vacuum access ports are located on the left-hand side of the GHS, these ports include (see Figure 6):

- Test port, typically for connecting a leak detector.
- Vent port, for venting parts of the vacuum system.
- Aux port, to connect to the service manifold pumps (for example to pump auxiliary equipment).
- Ports *V7* and *V9* for connecting the LN cold-trap.

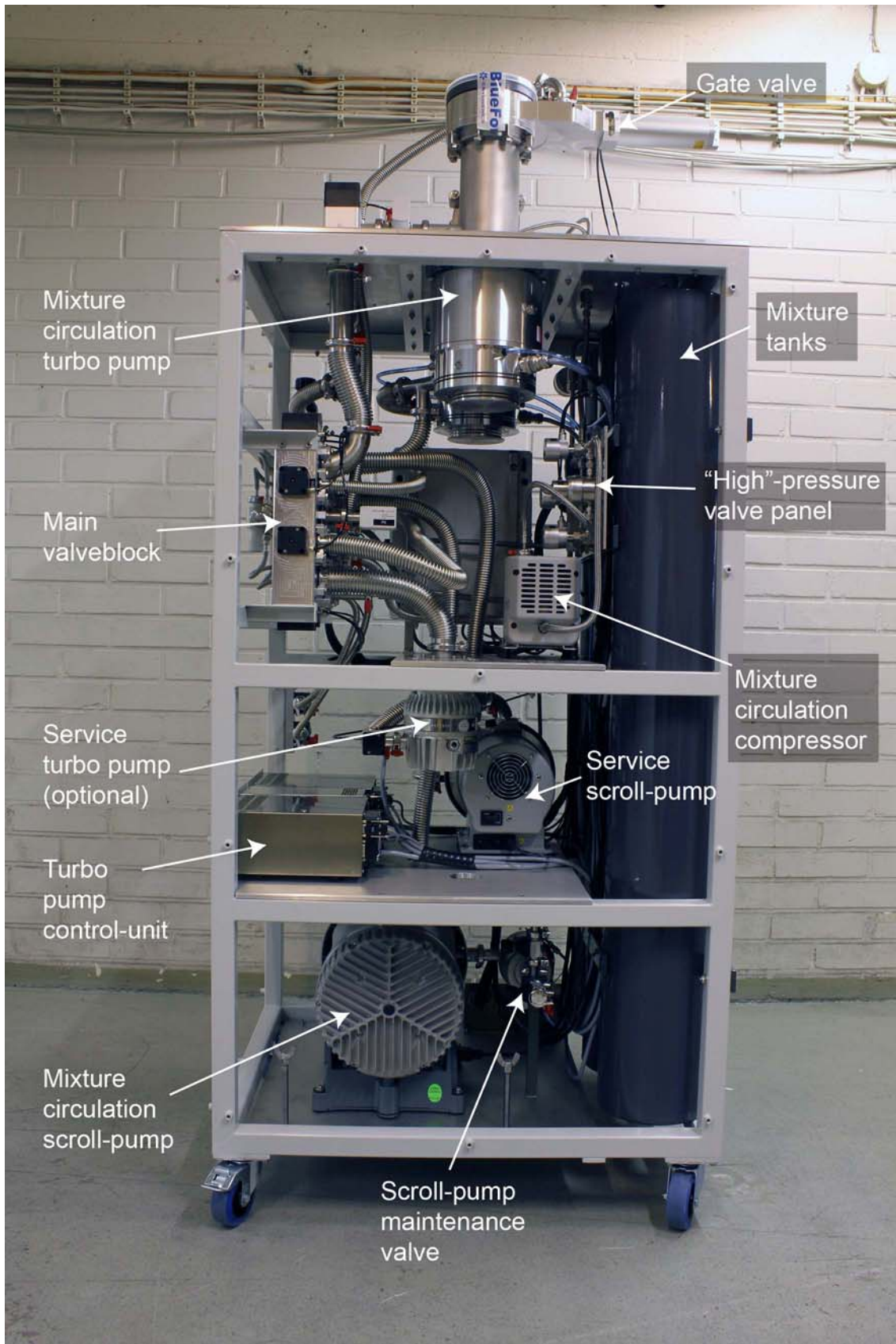


Figure 5. Gas handling system (GHS) main components.

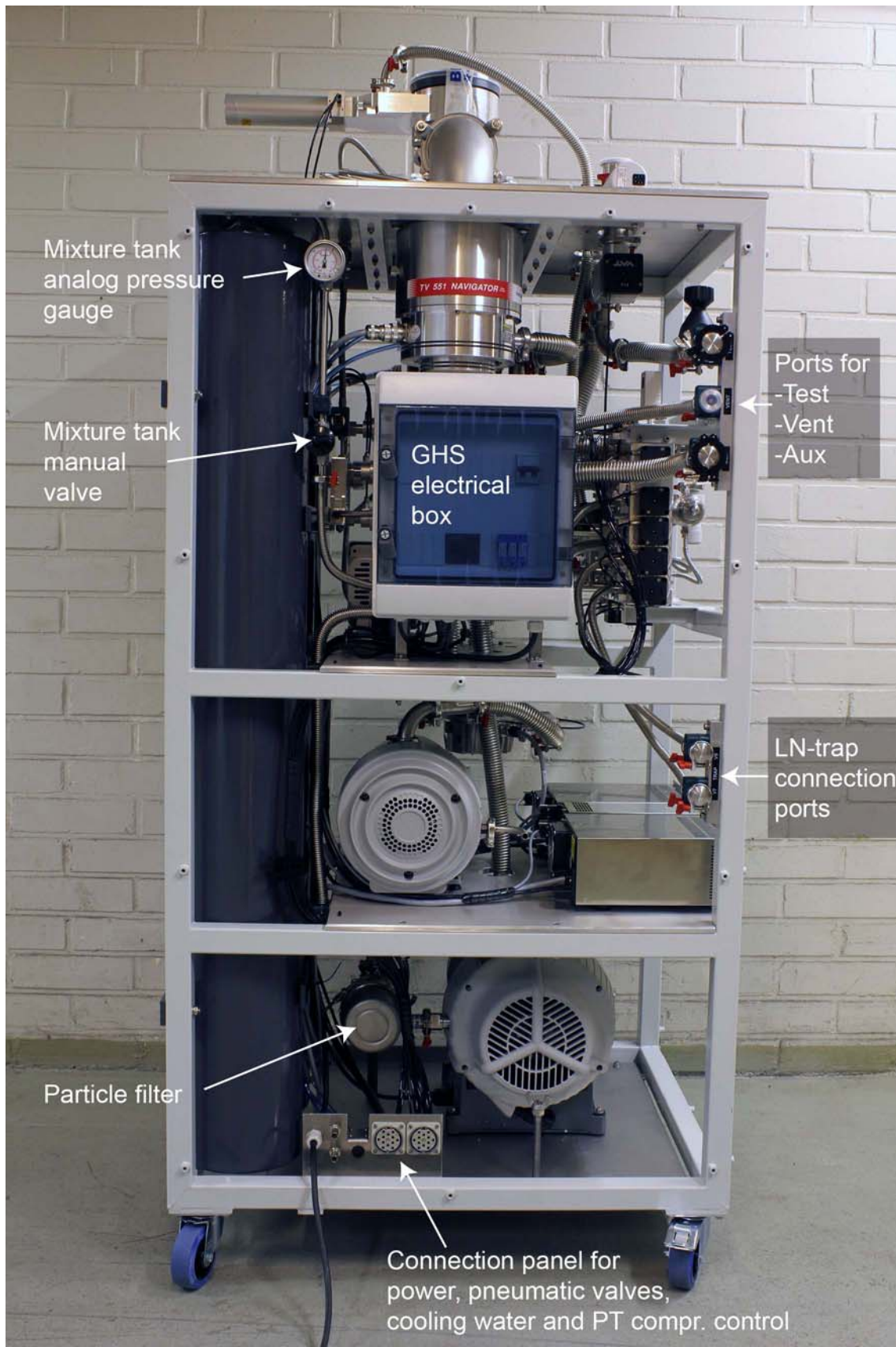


Figure 6. GHS main components.



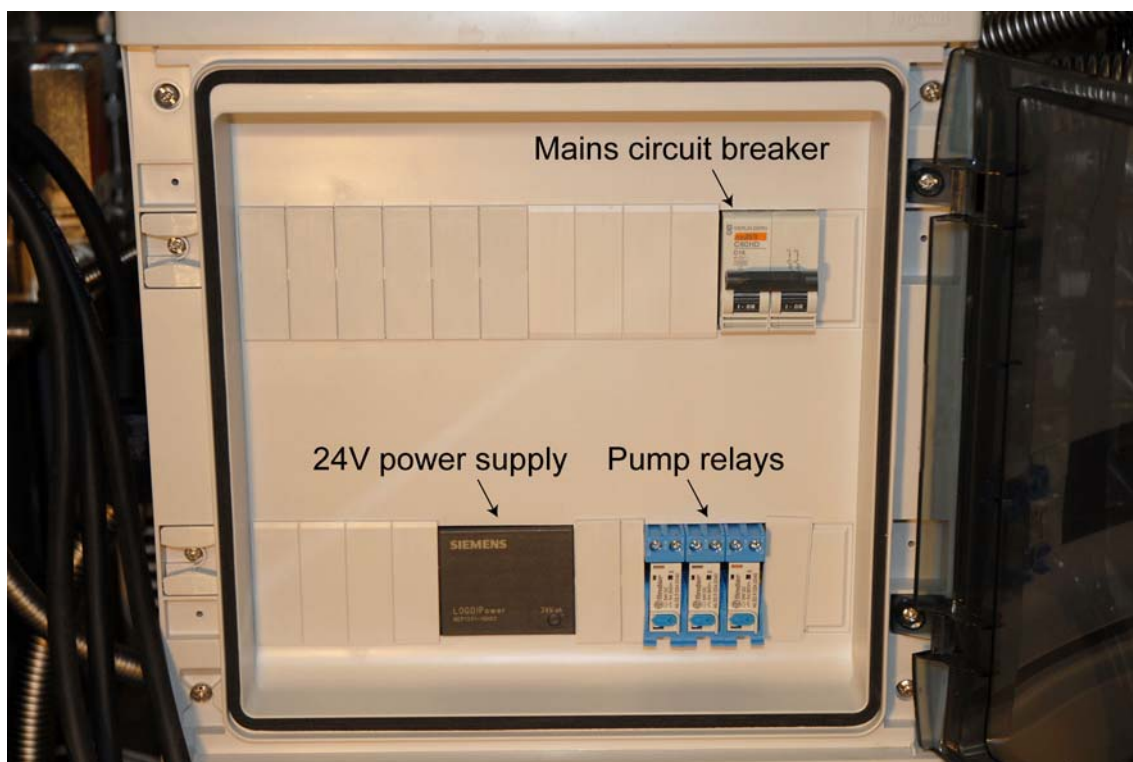


Figure 7. GHS electrical box.

2.2. The Control Unit (CU)

The Control Unit (CU) is a separate cabinet and contains all the electronics to control and read the status of the GHS (see Figure 8). The CU is preferably placed close to the cryostat. All switching (valves, pumps, compressors etc) is done through a central (expandable) relay board (see Figure 10 and Attachment 7.4). On the main circuit board the relay control channels are arranged in three groups of eight channels each. Except the circuitry for these channels, this board also contains the digital I/O circuitry (see Figure 9). The main board can be expanded with extension circuit boards, each containing eight control channels (see Figure 10). In principle it is possible to control up to 64 channels. A standard BF-H400 system has one main board plus one extension card, for a total of 32 channels.



Figure 8. Control Unit (CU).

There are two types of control channels:

- Latching channels (see Attachment 7.4). These channels have 3 outputs. The middle output is always at 0 V, while the remaining two outputs switch between 0 and 24 V. **When switching on the CU (or after a power failure) the outputs remain in the same state as before the power went off.** For example a running pump that is controlled with a latching-channel will restart by itself after a power failure.
- Off channels (see Attachment 7.4). These channels have two outputs over which they can switch between a voltage difference of 0 or 24 V. **When switching on the CU (or after a power failure) there is always 0 V over these outputs.** For example a running pump that is controlled with an off-channel will not restart by itself after a power failure.



Outputs of the control channels are marked ‘-’, ‘+ N.C.’ (Normally Closed) or ‘+ N.O.’ (Normally Open). The ‘+’ and ‘-’ refer to the positive and negative poles of the internal 24 V power supply (see Figure 10). The extra ‘N.C.’ or ‘N.O.’ marking on the positive pole refers to the configuration of the indicator light of the push buttons on the front panel (see Figure 11). In the ‘N.C.’ configuration, the (blue) indicator light is on when there is a voltage difference of 24 V over the load (connected between ‘-’ and ‘+ N.C.’) and off when there is no voltage difference over the load. In the ‘+ N.O.’ configuration this is reversed.

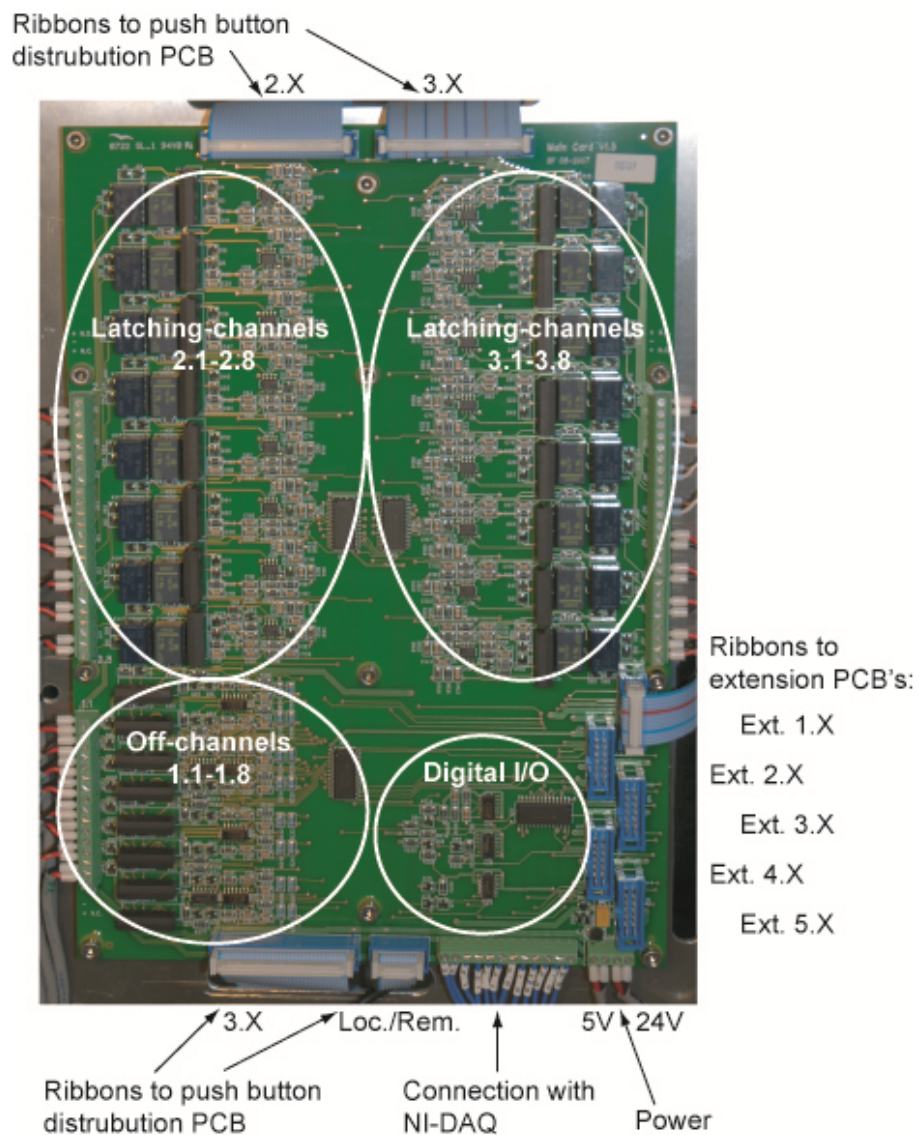


Figure 9. Main circuit board.

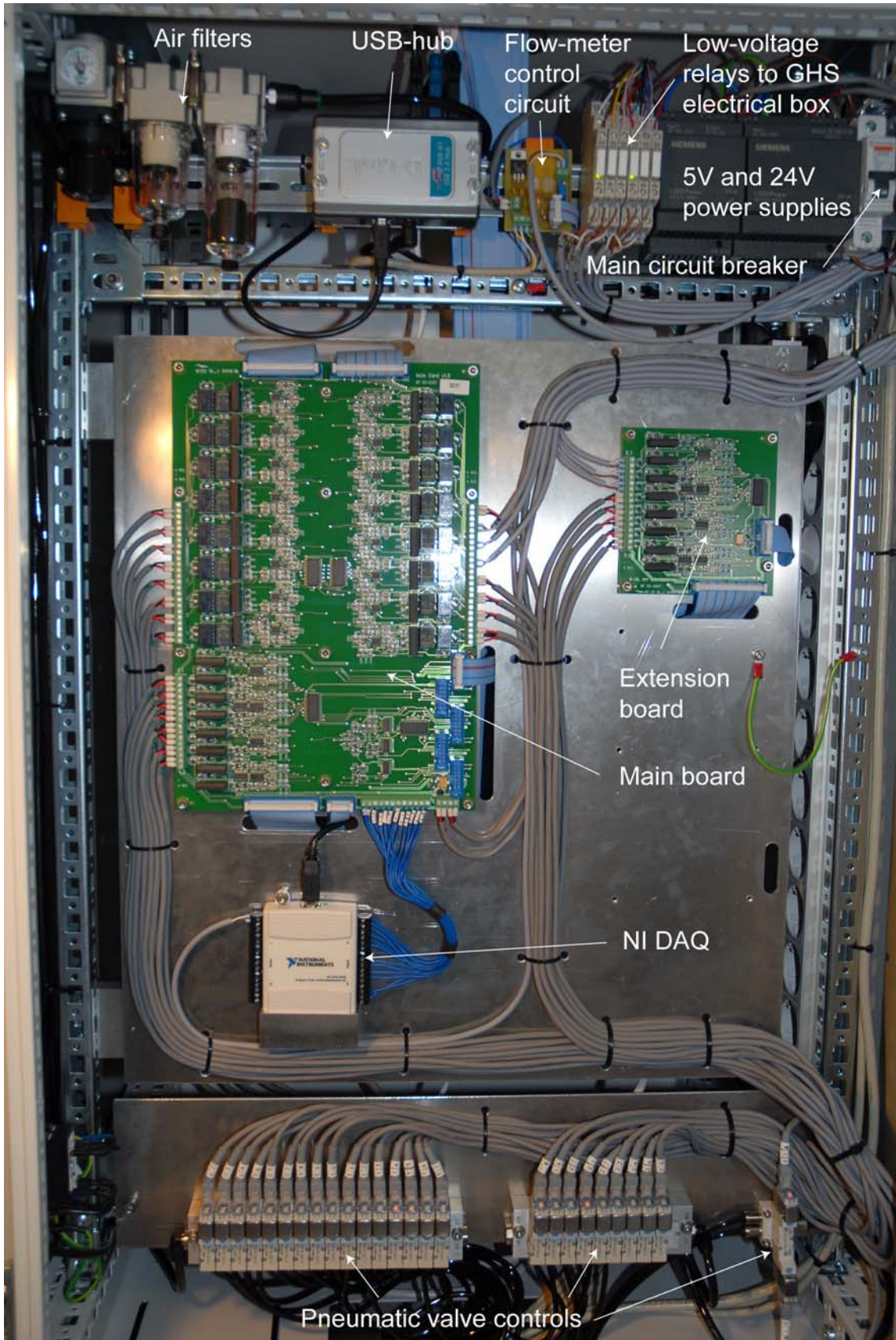


Figure 10. Control Unit main components.





Figure 11. Control buttons, on/off.

Eventually the 24 V signal is used either to switch a miniature pneumatic valve (see Figure 10, bottom) for controlling a vacuum valve or to switch a low voltage relay (see Figure 10, top) which consequently switches a power relay on the GHS (see Figure 7) that controls a pump or compressor. The system layout given in Attachment 7.4 shows an overview of each control channel and what is connected to it.

Each control channel can be switched by a manual push button (make contact) and/or by a computer via an USB connection. The push buttons are connected to a distribution board in the back of the front panel as shown in Figure 12. Through this distribution board the push buttons are connected to the main card via ribbon cables (one ribbon cable for each group of 8 control channels, see Figure 10 and Figure 12). The lines from the push button distribution board connect directly to each of the individual control channels (no multiplexing circuit).

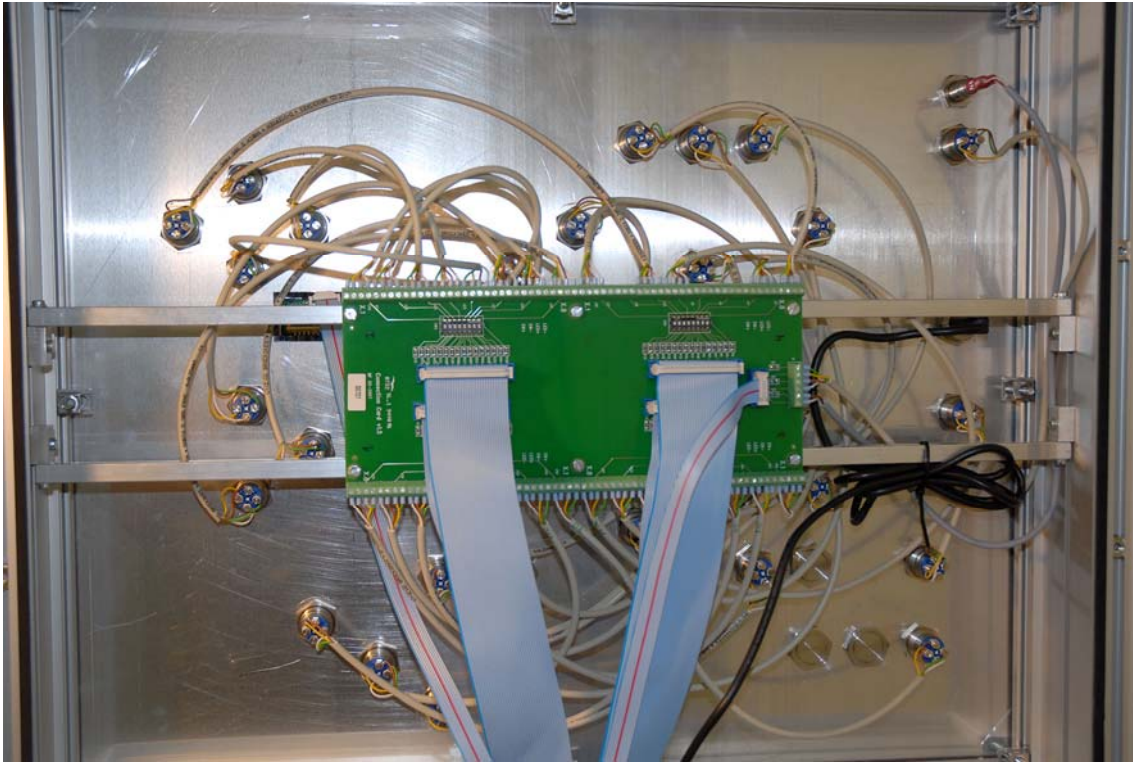


Figure 12. Control panel backside with push button distribution circuit board.

For computer control a National Instruments Corp. Data Acquisition Device (DAQ), type 'NI USB-6008' is connected to a multiplexer circuit on the main board (see Figure 13). Via the DAQ and multiplexer, the computer can read and change the state of each control. The DAQ also reads the analog voltage from the flow meter. For remote and automated operation the system is delivered with a higher level Labview-program. For automation the Labview-program can load and run factory pre-programmed or (easily) self-programmable control scripts (see Chapter 4). The DAQ is connected to the central USB-hub (see Figure 10). A computer can be connected (to the central USB-hub) via a USB connector at the backside of the control panel. **Note:** The pin-out and connection schematics of the NI DAQ are shown in Attachment 7.2.

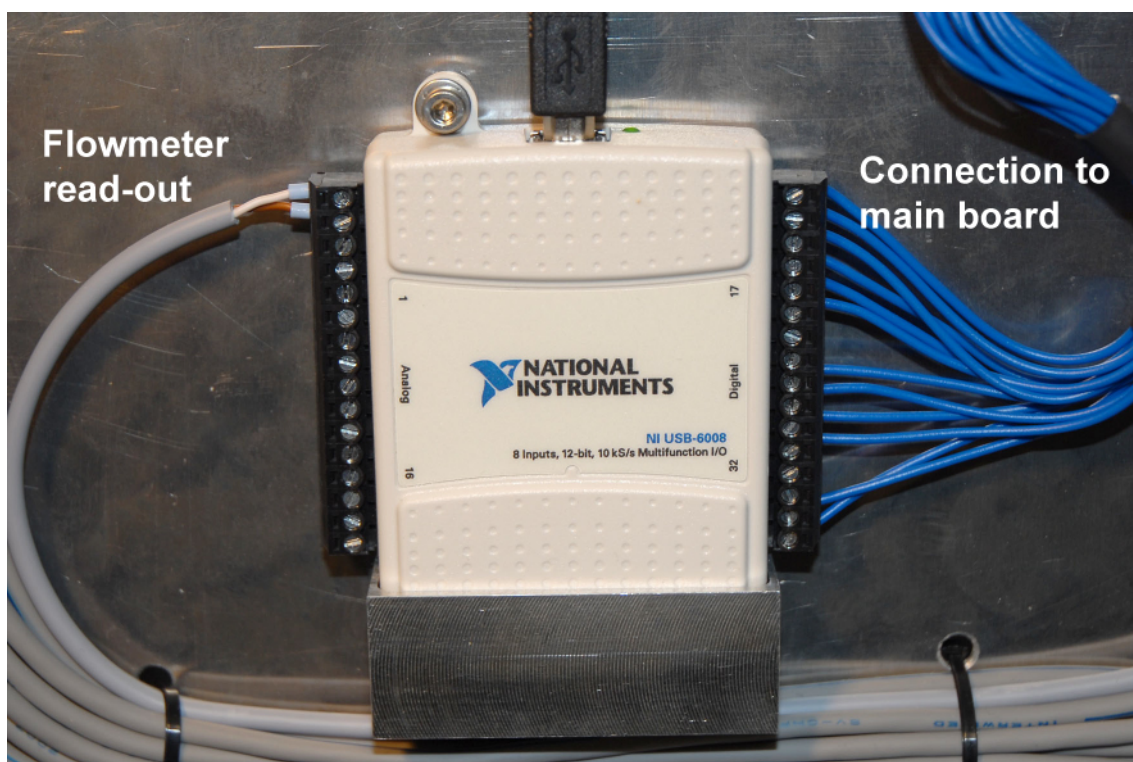


Figure 13. NI DAQ.

To read the pressures gauges of the GHS, the CU is equipped with a Pfeiffer Vacuum GmbH 6-channel pressure controller unit (MaxiGauge, model TPG 256). This is a completely separate unit within the CU. For remote operation the RS232 output is converted to USB (with a converter from FTDI, model US232r-10), which connects to the central USB-hub (see Figure 10). For more details, see also Section 5.2.

Finally the CU contains a small auxiliary circuit board to facilitate the readout of the flow meter (see Figure 10). The flow meter circuit board and connection scheme are given in Attachment 7.6. As shown, the output voltage of the flow meter is fed directly into the analog input of the NI-DAQ. The voltage is converted to flow with the calibration factor given in the Performance Sheet and Calibration Report, which is supplied as separate document to your system. The LED display on the front panel is a voltmeter that is calibrated to show flow in mmol/s by adjusting the trimmer R3 (see Attachment 7.6). **Note:** because of the good thermal anchoring between the

condensing line and the pulse tube, the temperature oscillation of the pulse tube during each cycle is visible as an oscillation on the flow. This superposed oscillating signal on top of the steady flow signal from the true flow through the dilution refrigerator can be removed with a low-pass filter (see Attachment 7.6). The low-pass filter circuit board has inputs for the signal from the flow meter and is directly connected onto the connector J2 of the flow meter circuit board. The filter can be simply removed if one wants to see the full signal.

2.3. The cryostat and Dilution Refrigerator (DR)

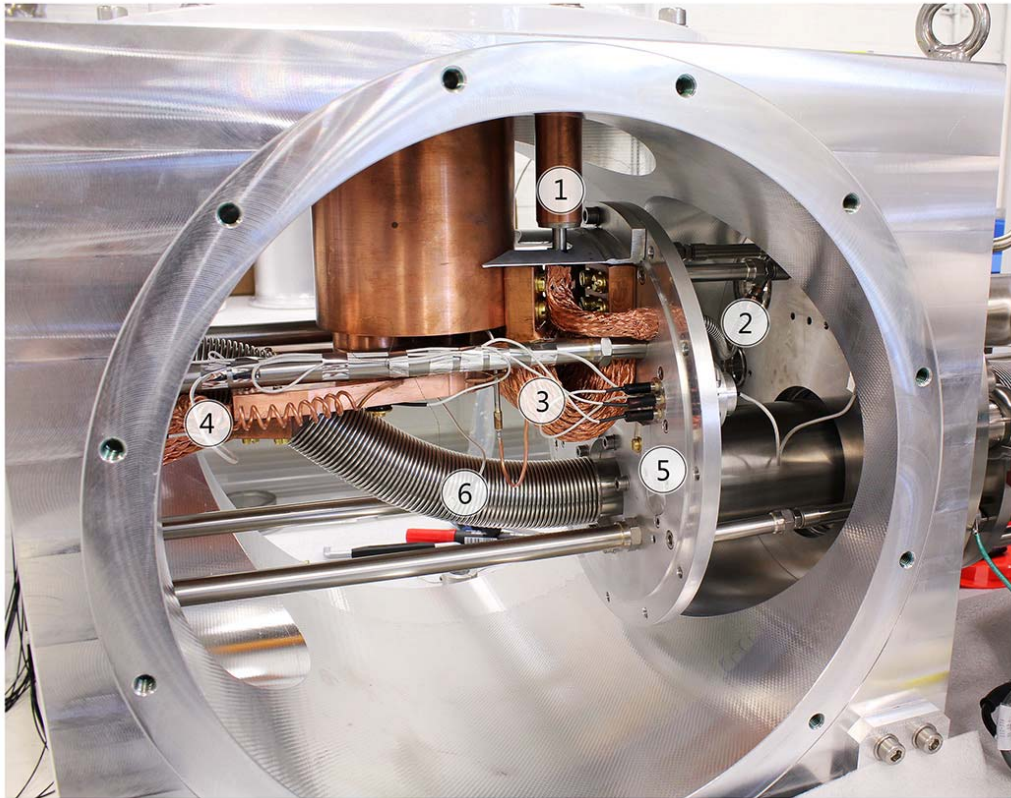
2.3.1 General cryostat layout

The cryostat is connected to GHS-cabinet by three lines: the sill pumping line, the Helium-3 return line and the Vacuum Can (VC) pumping line. All of these lines have electric isolators in them to separate the cryostat from the GHS. Therefore the cryostat should be connected to (a clean) ground after system installation. Figure 14 shows the main parts of the cryostat insert.

2.3.2 Wiring / thermal anchoring

The standard system wiring consists of 8 resistor channels for system thermometry and 4 heater channels for controlling the system. The wire bundle is made of twisted-pair PhBr-wire, with two wires for each heater and 4 wires (2 pairs) for each resistor. Thus a true 4-wire measurement is used for all resistance thermometers in the system. At the cryostat top-flange the wiring terminates in a room temperature connector-box that facilitates further connections to the resistance bridge pre-amplifier and heater-sources (see Figure 15). The connector-box houses a circuit-board that also provides the option of adding chip-type pi-filters for the wiring.





- | | | |
|-----------------------|------------------------------|----------------------------|
| 1) Cold Trap | 3) PT 1st stage thermal link | 5) 50K flange |
| 2) Condensing Line | 4) PT 2nd stage thermal link | 6) Still He-3 pumping Line |
| 7) Quasi 4K Flange | 9) Still Flange | 11) Step Heat Exchanger |
| 8) Gas-Gap Heatswitch | 10) Cold Plate | 12) Mixing Chamber |

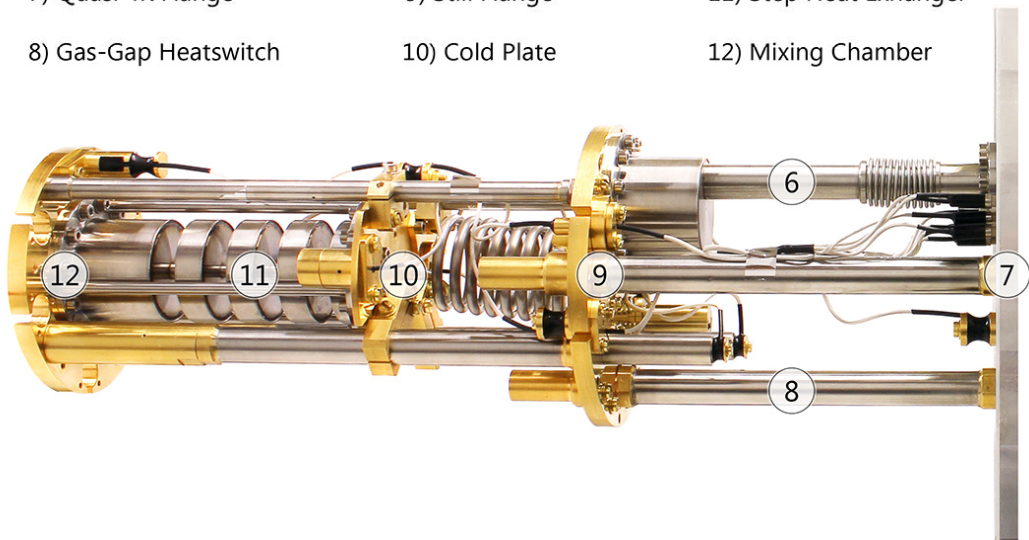


Figure 14. Cryostat insert layout.



Figure 15. DR wiring connector box.

Inside the system the wire bundle terminates in cylindrical wire blocks, either at the 50K-flange or the quasi-4K-flange. These cylindrical blocks also provide the thermal anchoring for the wire bundle. The blocks divide the wiring as follows;

- **50K-flange:** Resistor channels 1-4
Heater channel 1
- **Quasi 4K-flange:** Resistor channels 5-8
Heater channels 2-4



From the 4K connection block part of the wire bundle is extended further down to the cold-plate of the DR. In standard configuration the connectors (from left to right) in the break-out box at the cold-plate are connected to resistor channels 6-8 and heater channel 4.

In standard configuration 4 resistor channels and 4 heater channels are used, thus leaving 4 resistor channels available. The factory connected channels are given in Table 1 below.

Res. Ch1	Res. Ch2	Res. Ch5	Res. Ch6
50K-flange thermometer	4K-flange thermometer	Still thermometer	MC thermometer

Heater Ch1	Heater Ch2	Heater Ch3	Heater Ch4
HS-STILL	HS-MC	Still heater	MC heater

Table 1. Standard configuration of factory connected resistors and heaters.

For operation of the heat-switches (HS-STILL and HS-MC) and for applying a fixed amount of still heat for a cooldown, a heater-source box is provided with the system (see Figure 16). The box is powered by a rechargeable 12V-2.3AH sealed lead acid battery and operated by pneumatic lines from the control unit, thus avoiding any extra unwanted ground-loops in the system. In standard configuration (see Table 1) heater channels 1, 2 and 3 are connected to HS-STILL, HS-MC and the still heater and should be connected to output channels 1,2 and 3 of the heater box, respectively. The heater currents are pre-adjusted to correct values, but if necessary can be tuned with potentiometers inside the heater-box as shown in Figure 17. **Note:** to open the heater box, first carefully remove front-plate, loosen also back-plate and then slide out the top cover.

Detailed specification on the installed resistors, heaters and heater values can be found in the system Performance Sheet and Calibration Report, which is supplied as separate document to your system.

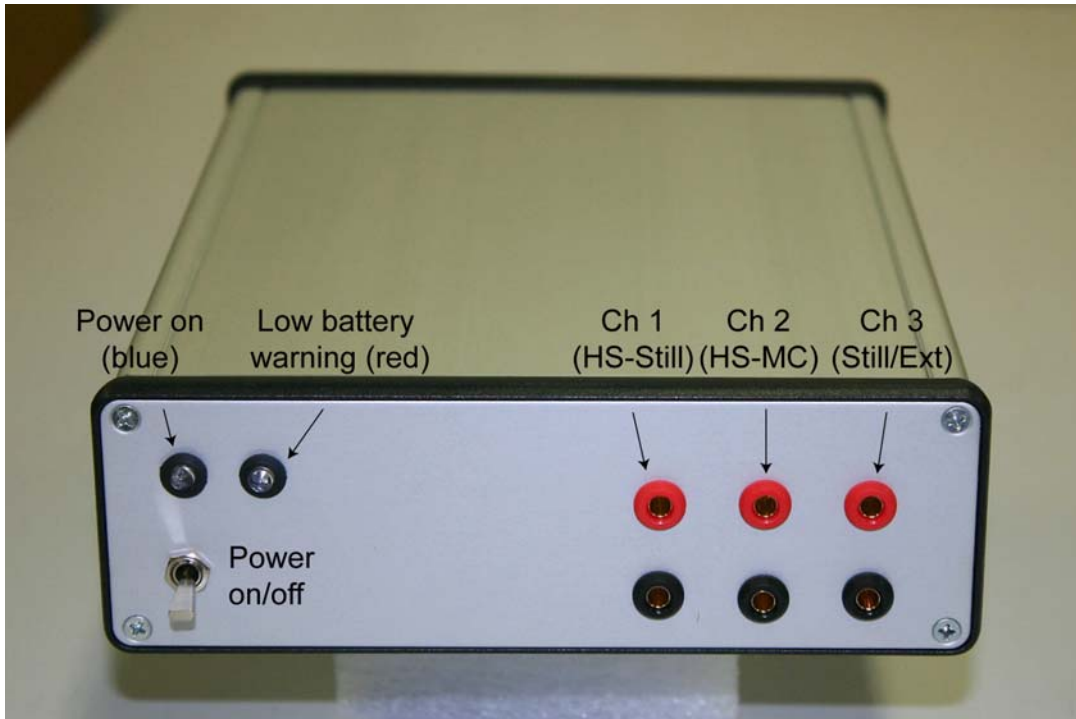


Figure 16. Heater Box.

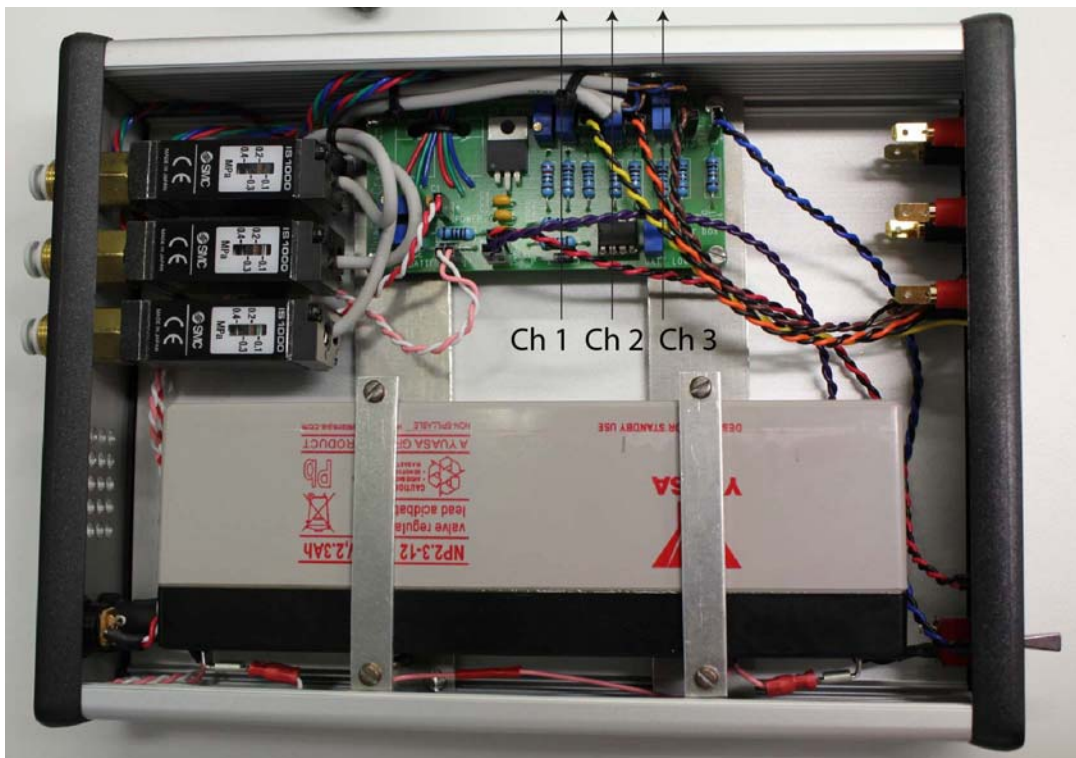


Figure 17. Heater Box with top cover open.



3. Installation

It is recommended that unpacking, system installation and initial testing are performed by a qualified BlueFors engineer.

3.1. *Unpacking*

Carefully open the crates and remove individual components. The GHS weighs more than 300kg and requires a lifting crane for safe unpacking. The cryostat itself should only be unpacked once the frame has been assembled and everything is ready for mounting the cryostat.

3.2. *Installing the system components*

- Assemble the frame components and mount the cryostat in the frame.
- Connect the pumping lines between cryostat and GHS. Make sure lines and surfaces are clean and leak-test the assemblies after completion.
- Connect the LN cold-trap, making sure the flow direction is correct (lower line of the LN-trap connects to V7 and upper line to V9).
- Connect the PT compressor pressure lines and additional lines (motor line, ballast tanks). Refer to PT manual for correct procedures.
- Connect electrical and water-cooling lines in accordance with local regulations and safety codes. Make sure the cooling water flow is adequate, the PT compressor requires a minimum flow of 9 LPM (2.3 GPM).
- Connect the Control Unit to a pressurized air supply, a minimum of 5 bars is required. Check that pressure is regulated to ~5 bars inside the CU.
- Connect the cables between CU and GHS (pressured air lines, vacuum gauge cables, flow-meter cable and electrical relay cables).
- Connect the heater box air lines and electrical lines.



- Connect the control PC and CU with a USB-cable. Connection on the CU is behind the control panel.
- Remove packing material from inside the cryostat. Soft foam is used between the shields and vacuum can to protect the insert during shipping.
- Evacuate the dilution refrigerator and still/condensing lines carefully before the first run.

Installing the optional LakeShore LS370 resistance bridge:

- Make sure the voltage setting on the bridge is correct for your region.
- Connect cables between cryostat, pre-amp and bridge.
- Connect the control PC and bridge with a null-modem RS232 or GPIB cable.

3.3. Software installation

Use your BlueFors customer web login for obtaining the latest software and help on software installation. See also Section 5.1.



4. Operation

4.1. *Preparing a cooldown*

Before closing the system for cooldown, one should check all required heaters and sensors for functionality. Especially the heaters of the heat-switches and still are of importance. When all is in order, the radiation shields can be mounted. The stainless steel Torx screws on the still-radiation shield should be screwed to firm hand-tight. The Allen-head bolts on the 4K- and 50K-shield should also be tightened to firm hand-tight. The next step is to close the vacuum can. **Before mounting make sure the o-rings and o-ring surfaces are clean.** The upper part is sealed with M8 Allen-head bolts and the lower part with wing-nuts. All should be tightened to firm hand-tight. When the vacuum can is pumped the ambient pressure will exert a large and evenly distributed force on the o-rings. At this point the wing-nuts will get somewhat loose. Do not re-tighten them at this stage or they will become difficult to open once the ambient pressure is admitted back into the vacuum can. The twist-locking bolts of the lower parts of the radiation shields and vacuum can allow easy operation also by a single user.

Before starting the cooldown procedure, make sure the Dilution Refrigerator (DR) is evacuated (both still p_2 , open V_2 to check, and condensing pressure p_3 should be below 1 mbar). The DR can be evacuated through the service manifold. First start *Scroll 2*, wait about 10 seconds for the internal relay of the pump to switch and then open V_{21} to evacuate the service manifold. Before opening the service manifold to the DR circulation circuit make sure that;

- All valves in the DR circulation are closed and that there is no pumping path to the mixture tank. **The safest option is to have the manual valve on the mixture tank closed** (see Figure 18 and Figure 6). **It is recommended to always keep the manual mixture tank valve closed when the system is not running.**
- There is no $^3\text{He}/^4\text{He}$ -mixture left in the DR and cold trap from a previous run.

Now V_2 should be opened to equalize the pressure over the gate valve.



Important: The gate valve should never be operated when it has a pressure difference (>30 mbar) across it, because it will not open/close properly, which can result in damage!! Always first open *V2* to equalize the pressure.

After the pressure has equalized the gate valve *V1* can be opened, plus *V3* and *V4* to connect the condensing and pumping side of the DR via the gas handling system. At the same time the cold trap can also be evacuated by opening *V7*. To start evacuation of the DR open *V18*, connecting the service manifold with the DR circulation circuit. When the pressure p_6 in the service manifold is <1 mbar, *Turbo 1* of the main evacuation can be started. After about 15 minutes of pumping with *Turbo 1*, the system will be clean enough to start a cool down.

After the evacuation all valves should be closed and pumps switched off. If the liquid nitrogen cold trap is to be used, it should now be inserted into a filled LN2-Dewar (see also Section 6.4).





Figure 18. Mixture tank manual valve.

4.2. Cooldown

A cooldown can be done fully automatic, fully manual or as a combination of the two. The automated cooldown sequence consists of 4 basic parts:

- Evacuating the Vacuum Can (VC). To create a good enough vacuum at low temperatures for optimal operation of the system, the pressure $p1$ of the VC should be pumped at room temperature down to $<1 \times 10^{-3}$ mbar before the pulse tube can be started.
- Initial pre-cooling of the system with the Pulse Tube cooler (PT). In a period of about 10-12 hours, the PT will cooldown the 50K and quasi 4K radiation shields. Simultaneously also the DR will be cooled to around 10K through the internal heat switches.
- Pulse pre-cooling (PPC). The BlueFors developed pulse pre-cooling sequence can be used to reduce the cool-down time. As no exchange gas is used in the cooldown, some parts of the system stay 'hot' after the initial pre-cool with the PT. These hot spots prevent condensing the mixture in the DR. By repeatedly admitting the mixture from the tanks through the low impedance still side of the DR and then pumping it out again, these hot-spots can be effectively erased.
- Condensing the mixture and starting of the circulation. The 3-He/4-He mixture is condensed from the tanks into the DR using a small compressor. Afterwards this compressor is bypassed and the normal circulation is started.

For each of these 4 parts there exists a pre-programmed command-script, that can be executed for a semi-automated cooldown (Pump VC, Start PT pre-cool, Pulse pre-cool and Condensing, see Attachment 7.7). In a semi-automated cool-down, each of these scripts is run individually and the time of execution is decided by the user (to understand running scripts for automation see Section 5.3). For a fully automated cooldown, there also exists a larger combined script. This script executes each of the 4 basic scripts, one after the other, on a preset trigger. The general

cooldown sequence will be explained on the basis of these scripts and trigger parameters.

Evacuating the Vacuum Can (VC). Start by switching on *Scroll 2* (then wait about 10 seconds until the internal relay of the pump switches it on). Then open *V21*, *v16* and *v14* to rough pump the VC. Also open *V23* to the backside of *Turbo 2* (If the extra turbo pump option was not purchased, open *V18* to the back of *Turbo 1*). When the pressure *p1* of the VC has reached <1 mbar, close *V21* and afterwards open *V23* and *V22* (If the extra turbo pump option was not purchased leave *V21* open and instead close *V16*). Then open *V18* and *V15*. In this state the rough pumping is continued through the turbo pump. Depending on the option, now *Turbo 2* or *Turbo 1* should be started to pump the VC to low enough pressure.

Starting the Pulse Tube cooler (PT). When then the pressure *p1* in the VC has reached $<2 \times 10^{-3}$ mbar the PT can be started.

Important: Make sure the water cooling of the PT is running, otherwise the temperature protection circuit of the PT will trip (see manual of the Cryomech PT). In this case the PT will stop, even though the LED on the front panel and the indicator in the Labview program show it is running.

For pre-cooling the DR it is important that the gas heat-switches, *HS-STILL* and *HS-MC*, are in the “on” state. To do so the active-carbon pumps, which will evacuate the internal exchange gas at low temperatures, have to be heated (*HS-STILL*: 35-40 mA and *HS-MC*: 10-12 mA). When the heater box is connected (see chapter 2.3), *HS-STILL* and *HS-MC* can be switched on from buttons on the front panel or the Labview program. **Make sure the batteries of the heater box are fully charged or that the charger is plugged in.**

The DR pre-cools better with some exchange gas inside. A few hours after the PT is switched on, open *V8* and *V13* to let mixture from the tank into the line that connect to the still. To admit the mixture in this volume close *v13* to the mixture tank and open *V3* to the still-side of the DR. Because part of this mixture was the last of



mixture to come out after the previous cooldown, it is possible that it might have some contamination. This is why it is suggested to first run the PT for a few hours, so any possible contamination will freeze out on the walls of the still-side of the DR and not be able to reach the main condensing impedance. When the pressure has equalized after about 10 seconds, close V3 and V8.

When the pressure $p1$ in the VC has become $<1 \times 10^{-4}$ mbar, the pumping of the VC can be stopped. In order to do so, close V14 and then all other valves (depending on the turbo-option V16, V22 and V23 or V15, V18 and V21). Also switch of Turbo 2 (or Turbo 1) and Scroll 2.

Once the DR is pre-cooled to a low enough temperature the pulse pre-cooling (PPC) sequence should be started. Optimal starting time for the PPC sequence is when the still temperature of the DR becomes <15 K. In the script for fully automated cooldown, the pulse pre-cooling sequence is triggered by a preset waiting time. **Important:** If a lot of experimental mass and/or measurement lines are added to the system, this trigger time might need to be adjusted for optimal performance. Figure 19 shows a typical cooldown curve of the still flange for a system with no experiments attached. In **~9 hrs** the still reaches **15K**, the cooling curve slows down and PPC sequence is started.

Note: if one wants to do a fully manual cooldown or omit the PPC sequence, one has to continue the initial cool down a few hours longer before condensation of the mixture can be started.

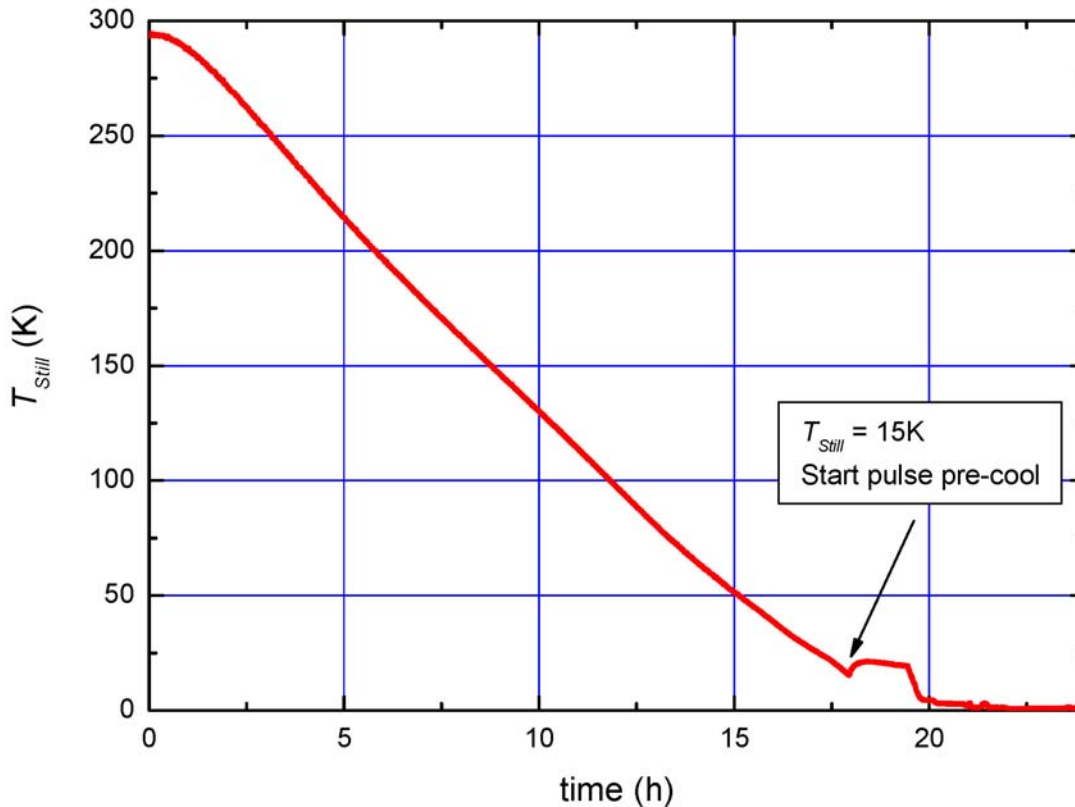


Figure 19. Example of system cooldown curve, still temperature as a function of time.
 Note: For the compact BF-H series cool-down of T_{Still} to 15K is expected to be around 9 hours.

Pulse pre-cooling (PPC). To begin the PPC sequence, first *Scroll 1* of the main circulation must be started (again wait about 10 seconds till the internal relay of the pump switches on). Then the exchange gas has to be pumped out of the DR. This is necessary as in the automatic cooldown mode the condensing pressure p_3 , which rises during the PPC sequence, serves as a control parameter in the sequence. To pump out the mixture, first open V_{13} to the mixture tank. **Before starting pulse pre-cooling, make sure the manual valve to the tank is open.** The PPC sequence is started as follows; open V_2 to monitor the still pressure p_2 and also open V_3 , V_4 and V_{10} to the pump. When the still and condensing pressures, p_2 and p_3 , are both <10 mbar, close V_4 to the condensing line and also close V_{10} to the pump. Now admit mixture from the tank into the still by opening V_8 . When the pressure in the still and mixture tank have equalized close V_3 and open V_{10} , to pump the mixture back into the tank (in the script this is triggered by a preset time of 15 seconds). When the still is pumped empty, again admit mixture to the still by closing V_{10} and opening V_3 (in

the script this is triggered by a preset time of 8 seconds). These last two steps have to be repeated, until all hot spots are erased. **Note:** the pulse pre-cool sequence runs for over an hour, so over 100 repetitions, *therefore it cannot be run manually*.

In the automated cooldown script there is a preset time trigger that will stop the PPC sequence. The pulse pre-cooling sequence is always stopped at the end of a pumping cycle. Thus V13 to the tank is closed. Immediately afterwards V4 is opened, so now the little amount of mixture left in the main circulation circuit is being circulated through the DR. To prepare for normal circulation finally the gate valve V1 is opened and its bypass V2 closed. When the still and mixing chamber have cooled back after the PPC cycle, *HS-STILL* and *HS-MC* are switched off.

Condensing the mixture. At this point it is assumed that the complete DR is pre-cooled to low enough temperature (<10K) to allow for condensation of the mixture. If one wants to use the liquid nitrogen cold trap, it should now be added into the main circulation. Assuming the cold trap is ready for operation (see Section 4.1), open V9 and V7 and close the bypass V8. To condense the mixture, the condensing pressure has to be increased to about 2 bars. Therefore open V6 and start the *Compressor*. The back-pressure valve *BPV1* (see Figure 20), bypassing the compressor, has been factory set to a cracking value of about 2 bar. Now **first** close V4 and then open V5 to add the compressor into the main circulation

Important: V4 and V5 are high pressure valves. Also the ingoing condensing line after these valves is made to withstand pressures up to 10 bar.



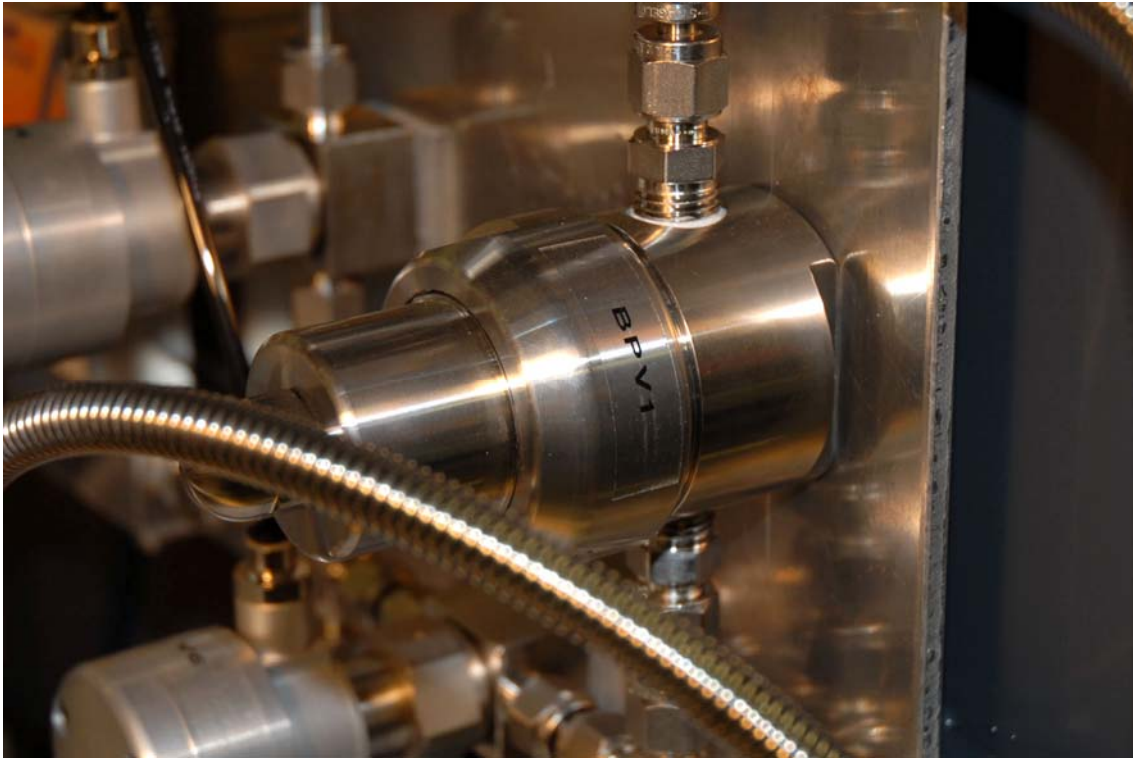


Figure 20. Back pressure valve BPV1.

To start condensing, mixture from the tank has to be added into the circulation. In the script this is done by closing *V10* to the still line and opening *V12*. Now the mixture is pumped from the tank into the circulation through the needle valve (see Figure 5). The needle valve is preset to a value where the mixture can be added at a controllable flow-rate. When the condensing pressure *p4* on the back of the Compressor gets >900 mbar, the mixture intake from the tank is stopped. *V12* is closed and *V10* is opened again to restore the circulation. In case the pressure *p4* overshoots, the back pressure valve *BPV3* (see Figure 22) is set to a cracking pressure of approximately 1.2 bar and provides a path back to the mixture tank. Now the added mixture will condense into the DR and consequently pressure *p4* will drop. When *p4* < 600 mbar, *V10* is closed and *V12* opened again. These steps are repeated and as a result the pressure *p5* in the mixture pressure tank will start to go down. **This is the indication that the DR is completely pre-cooled and the heaters on the heat switches *HS-STILL* and *HS-MC* should be switched off.** This will break the thermal contact between the DR and the PT.

The steps as described above are repeated until the pressure in the mixture tank p_5 becomes <250 mbar. At this point the pressure in the tank is so low that adding mixture through the needle valve becomes too slow. So the needle valve is bypassed and, the mixture will now be added directly from the tank by closing V_{10} and opening V_{11} (instead of V_{12}). Eventually, when the pressure in the mixture tank p_5 becomes <50 mbar, adding mixture repetitively via V_{11} will also become too slow. To condense the final portion of mixture V_{11} is opened continuously. The tank pressure is now so low that also V_{10} will not be closed (which earlier prevented back-flow to the still side of the DR). In this state the pressure in the tank can be pumped empty to a pressure equal to the returning mixture from the DR, approximately 10 mbar. After that V_{11} is closed.

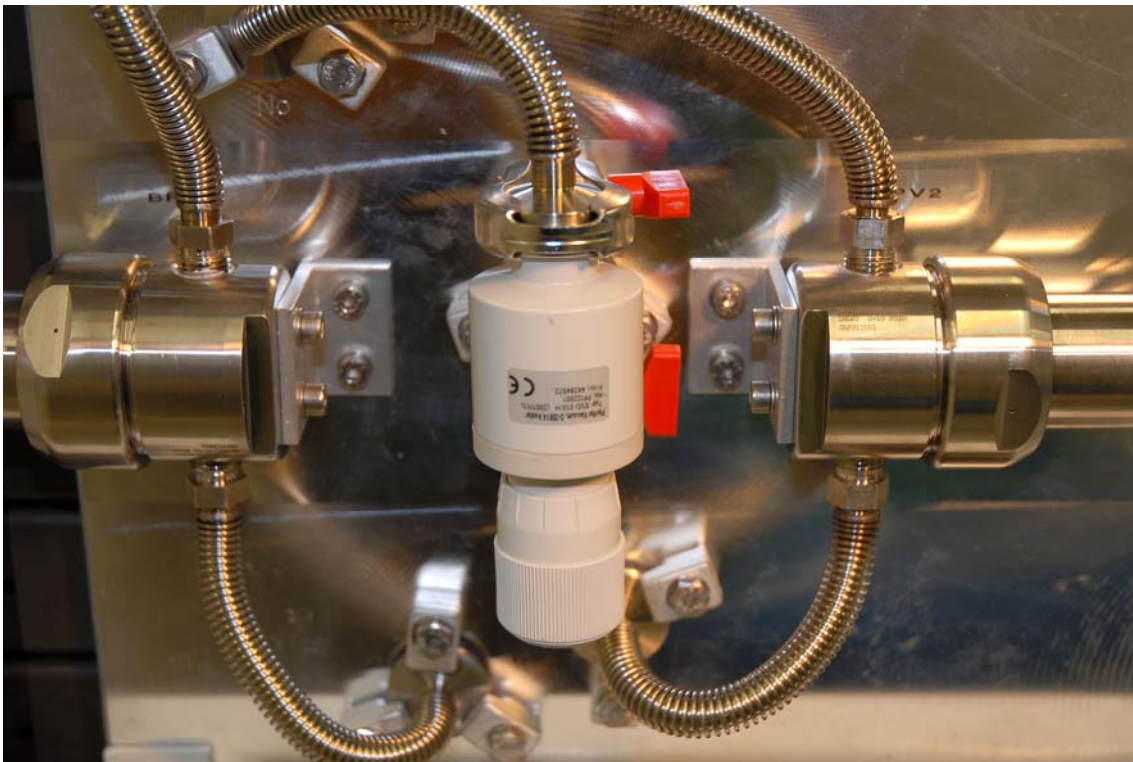


Figure 21. Needle valve and BVP valves 3 and 2 (left and right side respectively).



Figure 22. Backing pressure valve BPV3.

After the mixture has condensed (~ 10 mbar or less left in the tank, p_5), the *Compressor* is switched off. When p_3 is < 1000 mbar V_5 and V_6 are closed (leaving some mixture in the small compressor volume). Because at this point V_4 is still closed, the pressure p_4 after the *Scroll 1* circulation pump will increase while the condensing pressure p_3 will continue to decrease. When p_4 is or becomes $> p_3$, V_4 is opened and V_5 and V_6 are closed. The system is now back to normal circulation mode, bypassing the *Compressor*. Once the condensing pressure p_3 drops to < 600 mbar (in several minutes) the *Turbo 1* of the main circulation is started. *Turbo 1* can not be immediately started, because initially the still is very warm and the still pressure p_2 very high. If the *Turbo 1* is started at too high condensing pressure p_3 (which is close to p_4), the increased pumping speed will increase p_4 too much and *BPV3* will leak some mixture back into the tank. After starting the *Turbo 1*, **the system is now in normal operation mode** and will start to cooldown to base temperature. To decrease the cooldown time, after about 20 minutes some heat should be applied to the still heater (~ 7 mA). Without heat applied to the still, it will

get too cold. This results in a very low still pressure (p_2), hence low flow rate, hence low cooling power. When the still heater is connected to channel 3 of the heater box (see chapter 2.3), a fixed amount of still heat can be applied from the *EXT* button on the front panel or the Labview program. **(Make sure the batteries of the heater box are fully charged or that the charger is plugged in).**

If one wants to condense the mixture manually, we recommend opening *V12* and regulating the needle valve (see Figure 21) to a setting where the back-pressure valve *BPV3* is **just** cracking (p_4 approximately 1.2 bar). As the pressure p_5 in the mixture tank will go down, so will also the flow through the needle valve. Consequently after some time p_4 will start to drop. At this point the needle valve can be adjusted again to increase the flow and to increase p_4 to the original value. Eventually the needle valve will be completely open. At this moment there is still some mixture left in the tank, but p_4 will continue dropping. When there is about 50 mbar left in the tank (p_5), close *V12* and open *V11* to condense the last bit of mixture. When all mixture is condensed, close *V11*. To get the system from here in normal operation mode, follow the same steps as in automated scripting mode, described in the previous paragraph.

4.3. Continuous operation

In normal operation mode 3-He gas is circulated through the DR and gas handling system. The system is designed so that it is protected against incidents and abnormal behavior, meaning that under no circumstance there will be any excessive pressure build up or loss of mixture in the system. This is subject to one critical condition; there must always be a return path for the mixture from the still pumping line via the gate valve *V1* and back pressure valves *BPV2* and *BPV3* (see Figure 21) to the mixture tank. **Therefore the gate valve *V1* should never be closed during normal operation.** For example in the case of the most common incident, a power failure, the PT will switch off. As a consequence the DR will start to warm up and after a while (approximately 10 minutes) the mixture inside will start to boil off. During a power failure also all pumps will switch off and all valves (except the gate valve *V1*) will close. If the pressure in the still reaches >1.1 bar *BPV2* will crack and shortly after that also *BPV3* thus offering an escape route for the mixture back to the tank.



Important: The gate valve *V1* should never be closed during operation of the system (condensed mixture inside) because it provides the only return path for the mixture to the tanks in case the PT switches off (for example during a power failure).

Note: All pneumatic valves in the system, except the gate valve *V1*, are of the ‘normally closed’ type. This means that without pressurized air, a spring will force these valves in the closed position. The gate valve *V1* does not work against a spring (dual action), this means that both in the case of power failure or loss of pressurized air, this valve will stay in its current position.

In the unlikely case of a system blockage, either in the condensing line of the DR or the liquid nitrogen cold trap, the back pressure valve *BPV3* will provide a path for the mixture to the tank (for cleaning the cold trap see Section 6.4).

Important: If the LN2 cold trap is used, one has to refill its dewar regularly with liquid nitrogen (approximately once a week) to make sure the it will not warm up during a run.

For reference and troubleshooting, Table 2 shows some typical values of the most important system parameters of a BF-H400 system during normal operation.

I_{still} [mA]	$p_{\text{still}} (p2)$ [mbar]	n [mmol/s]	$p_{\text{cond}} (p3)$ [mbar]	$p_{\text{VC}} (p1)$ [mbar]
15	0.02	0.5	500	1-5E-6*

Table 2. Typical values of most important system parameters of a BF-H400 system during normal operation.
***Note:** Value for a typical pumping line of ~2 m length, e.g. a pumping line of >5 m will result in $p > 1\text{E-}5$ mbar.

4.4. Warm up

To warm up the system from normal circulation mode to room temperature, first the *Turbo1* pump should be stopped. Then, depending on if the system was running with or without liquid nitrogen cold trap, *V9* or *V8* respectively should be closed to stop



the circulation. Then *V13* to the mixture tank should be opened. At this point the PT can be stopped. After approximately 15 minutes, when *Turbo 1* has slowed down, *V3* can also be opened to pump the mixture from the condensing side of the DR to the tank. To increase the warm-up rate, one should let some heat-exchange gas (air) into the VC. This is done by opening *V19* and *V16*, to vent the pumping line of the VC. When the tube is at atmospheric pressure, close *V16* and open *V14* to the VC, so that only a single tube of air is admitted to the VC. If the VC is completely vented at this point a lot of water will condense everywhere on the cold system surfaces and is thus not recommended. **Note:** Before admitting the exchange gas, it is also best to switch off the pressure gauge *p1* that monitors the VC pressure. When the dual head pressure gauge *p1* is still in low pressure mode (cold cathode sensor on), a sudden increase in pressure can contaminate the gauge-head. Cleaning instructions of the Compact FullRange™ Gauge (model PRK 251) can be found in the Pfeiffer manual. Once heat-exchange gas has been admitted to the VC the mixture will pump out quickly (less than 1 hour) to the storage tanks. Once all mixture is back in the tanks, *Scroll1* can be stopped and all valves (*V1*, *V3*, *V4*, *V7*, *V10* and *V13*) closed. If the system will be warm for more than a few days it is also recommended that the mixture tank manual valve (see Figure 18) be closed for safety.

After approximately 12 hours, the whole system will be more or less at room temperature. To speed up the last 20 degrees of the warm-up, it helps to vent the vacuum can to full atmospheric pressure. This can be done by connecting the VC to vent via *V19*, *V16* and *V14*. **Note:** To control the venting speed a plastic KF16 cap is placed on the vent outlet (see Figure 23). Once all flanges are more or less at room temperature, the system may be opened.

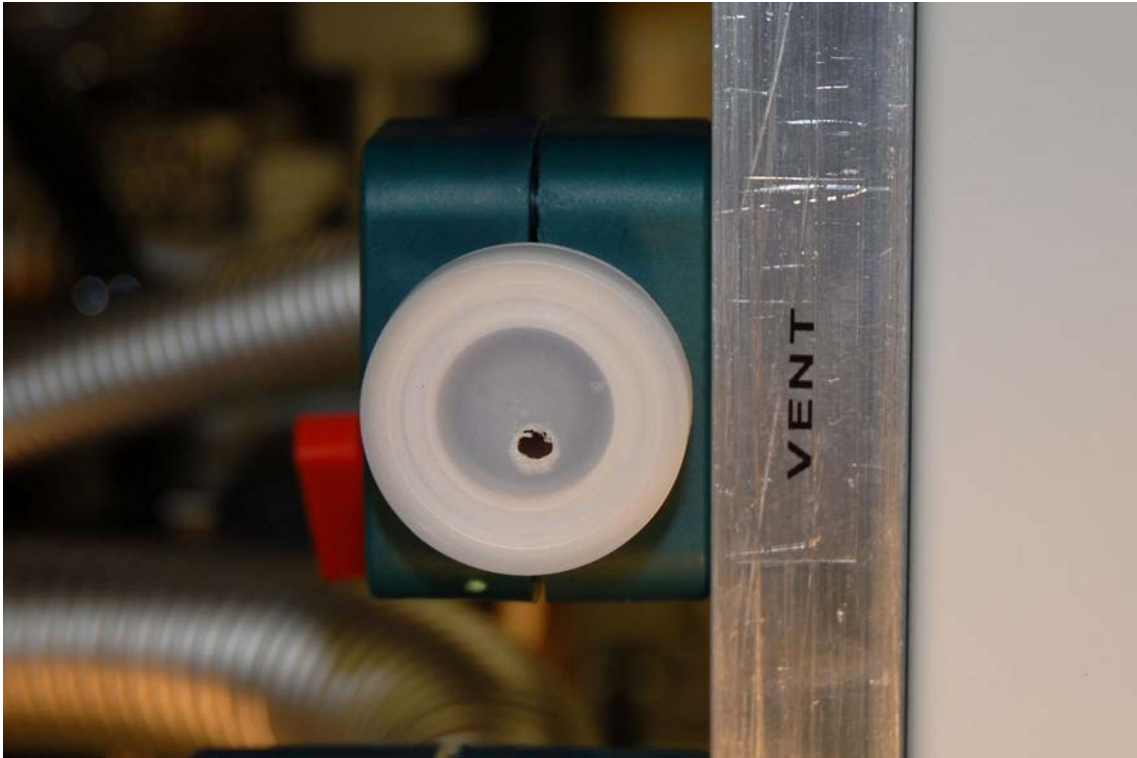


Figure 23. Vent port with flow restriction.

5. Remote Control

The complete system can be controlled by computer, which enables full remote control and system status check plus the possibility of running scripts (for automated cooldown). For remote control the system should be connected to a computer via the USB connector on the backside of the manual push-button panel and BlueFors ValveControl-software should be installed on the computer. **Note:** The latest version of this software plus an installation guide can be downloaded from the support section on the BlueFors website.

5.1. ValveControl installation and layout-files

On first installation the ValveControl software installer will ask for a layout-file. This file contains information such as which control channels (see Section 2.2) are in use and what they are controlling (addressing), the position of the control buttons on the software background image, the file name of the background image (.png), etc. There is a default layout and background integrated in the software that can be used with standard systems. If you have a standard system, you can choose to use this default layout on installation. If you have a non-standard system, for example with a secondary turbo pump, or any other extra controls, you have to browse to the location of the layout file you want to use (you can also decide to first do the installation with the default layout and then later change to the correct layout).

Important: Only operate the software with the correct layout file for your system as otherwise unexpected behavior might occur because of wrong addressing for valves, pumps etc.

On default installation (for help or more details read the software installation guide) the software will create a directory `C:\Program Files\ValveControl\`. It is recommended to store custom layout-files and background images (and maybe other important information such as the manual) in this directory. If you want to update the control software to a later version, the installer will first ask you to remove the old version. If you have any files (other than the software files itself) in the



directory *C:\Program Files\ValveControl*, the directory plus these files will not be removed on removing the software. **Note:** After the old version is removed you have to run the installer again to now install the updated software. The software will automatically use the same layout file which was in use in the earlier version.

If one wants to change the layout-file after the ValveControl software has already been installed, one has to run the software and go the 'Setup' tab. In the 'Layout section' click 'Load different layout' and browse to your custom layout-file (we recommend storing it in *C:\Program Files\ValveControl*). If you wish to make it also the default layout, click 'Make this layout as default'. **Important:** when you now update to a later software version it will ask you to remove the old version, but it will still keep and re-use the custom layout-file that was set to default in the earlier software version. **Note:** Changing the layout settings requires administrative rights in Windows.

The layout-file is a simple text file (see Attachment 7.3) containing the following information:

1. First all the control channels are defined. This is done in rows starting with 'Ch' in the first column. In the second column it states the generic name of the control and in the third column it defines the variable name, as will be used by the script language (see Section 5.3). In the next two columns it defines the xy-coordinates on the background image. In the next column there is a flag defining if the control is in use or not. If '0' the control will not be visible on the background image, but can be controlled through its variable name in a script. If one wants to completely take the control out of use, the whole line has to be commented out (or deleted). **Important:** in column number seven the address of the control channel is defined. The connection diagram of the standard system can be found in Attachment 7.4. The control channel number can be converted to the address used in the layout-file using Table 3. **Important:** for non-standard systems use the valve connection diagram (pdf-file) that has been separately provided together with the custom layout and background



file. In the last column there is a flag defining whether confirmation after pressing a control in the software is active ('1') or not ('0').

2. After the definition of all control channels, the pressure gauge and flow meter readout are defined in the next rows (starting with 'Meter').
3. In the last rows (starting with 'Config') it defines the general background dimensions of the software window, the name of the layout as will appear in the top right corner of the ValveControl software and the png-file containing the background image that will be used. **Note:** The background image file has to be saved in the same directory as the layout file.

P C B	L a y t	P C B	L a y t	P C B	L a y t	P C B	L a y t	P C B	L a y t	P C B	L a y t	P C B	L a y t	P C B	L a y t
1.1	0	2.1	1	3.1	2	4.1	3	5.1	4	6.1	5	7.1	6	8.1	7
1.2	8	2.2	9	3.2	10	4.2	11	5.2	12	6.2	13	7.2	14	8.2	15
1.3	16	2.3	17	3.3	18	4.3	19	5.3	20	6.3	21	7.3	22	8.3	23
1.4	24	2.4	25	3.4	26	4.4	27	5.4	28	6.4	29	7.4	30	8.4	31
1.5	32	2.5	33	3.5	34	4.5	35	5.5	36	6.5	37	7.5	38	8.5	39
1.6	40	2.6	41	3.6	42	4.6	43	5.6	44	6.6	45	7.6	46	8.6	47
1.7	48	2.7	49	3.7	50	4.7	51	5.7	52	6.7	53	7.7	54	8.7	55
1.8	56	2.8	57	3.8	58	4.8	59	5.8	60	6.8	61	7.8	62	8.8	63

Table 3. Conversion table of control channel number on printed circuit board to address used in layout file.

If one has a standard system, but would like to modify the standard layout-file (for example adding/removing confirmation on certain controls), the file can be downloaded from the user support section of the BlueFors web site. To prevent unclear situations in the future, it is best to rename the modified layout file (including

the configuration name 'Config;name;name' within the file). The newly created layout-file can be taken into use as described earlier in this section.

5.2. ValveControl software

After the ValveControl software with the correct layout-file has been installed, it can be run from the shortcut on the desktop. To read out the pressures the correct COM port has to be selected. Navigate to the 'Maxigauge' tab. and from there to the 'Settings' tab. The correct COM port can be found from the Windows Device Manager (located in the Windows Control Panel). Check under 'Ports (COM & LPT)' and then 'USB Serial Port'. See also Section 2.2. To store the COM port settings, click 'Save settings'. **Note:** Changing the COM port settings requires administrative rights in Windows. **Note:** When the USB cable is disconnected and reconnected from the computer or when the computer is restarted, the COM port number may change.

The ValveControl software offers the possibility to log all measured data for later reference. Three different data files can be logged:

- **Pressure** (csv). Logging options can be set in the 'Settings' tab which is located inside the 'Maxigauge' tab. To enable logging, define a log path and make the 'Enable logging' tick box active. The log saving frequency can be set in the 'Logging interval' box. Higher resolution (short-term) data is stored in the computer memory and displayed in graphs under the 'Channel' tabs. The reading frequency and number of points stored in these graphs can be set from the 'Reading interval' and 'Number of samples to show in graph' boxes. All above mentioned setting can be saved for next time the ValveControl software is run by clicking 'Save settings'.
- **Flow** (csv). Logging options can be set in the 'Flowmeter' tab. To enable logging, define a log path and make the 'Enable logging' tick box active. The log saving frequency can be set in the 'Logging interval' box. Higher resolution (short-term) data is stored in the computer memory and displayed in the graph located within the same tab. The reading frequency and number of points stored in this graph can be set from the 'Reading interval' and 'Number of



samples to show in graph' boxes. All above mentioned setting can be saved for next time the ValveControl software is run by clicking 'Save settings'.

- **System status.** This will log the status of all valves, pumps etc. on the front panel. Every time a change occurs the new state is saved to the log file together with a time stamp. To enable logging, navigate to the 'Setup' tab, define a log path and make the 'Enable logging' tick box active. The settings can be saved for next time the ValveControl software is run by clicking 'Save settings'.

Note: The ValveControl software automatically generates a directory structure month-day-year in the log path directory into which the log files are saved. For easy viewing and retrieving of the data afterwards, we recommend using the same log path for all files.

When the computer is communicating with the system, the remote light on the push button front panel will light-up red. In this remote state the manual push buttons on the front panel are disabled. When no scripts are running the computer will by default check the status of the system (status of valves, pumps, etc.) every 5 seconds. So if somebody for example opens a valve or starts a pump through the manual push button panel, it will be recognized by the computer at most 5 seconds later. This status update time can be changed by the user. For instantly obtaining the status of the system, the 'Force update' button in the software can be clicked.

5.3. Running scripts

For system automation, the ValveControl software has the possibility of executing simple scripts. These scripts are run from the 'Programming' tab. A script can be directly written into the code-window or loaded from a file ('Load' button). The scripts are simple text files (.txt) and can either be created with a text editor or directly from the ValveControl software ('Save' button).

When a script is running the computer is in constant communication with the system, hence the remote light will be on the entire time and the manual push button panel will be disabled. If for some reason manual action is desired, the local button on the front panel can be pressed. This will disable computer communication and stop any script that is running and instantly enable manual control through the push button front panel.

Important: When a script has been stopped (either by pressing the local button on the front panel or by pressing the stop button in the software), one has to consider whether it is OK to restart it again, as the script will not continue at the point it was stopped, but instead will start all over from the beginning.

Note: When a script is running, the reading interval (see Section 5.2) is automatically set as fast as possible (~500 ms). During this time also all graphs will be updated at this same fast rate. The log saving frequency will not change.

The basic commands of the scripting code are displayed on the right-hand side of the code area. The variables in use, as defined in the layout-file (see Section 5.1), are shown in the 'Variables' table. There are 4 extra variables, not defined in the layout-file: `time` (time elapsed in seconds since script was started) and `var1`, `var2`, and `var3`. These last three variables are the only variables that can be user set to a certain value within the script (for example the command `var1=time` will assign the



value equal to the amount seconds elapsed since starting the script at the moment of assignment to `var1`).

Table 4 shows a list of operators which are supported in the scripting code. So for example `IF ((p1-p2)<100) || (p3>=100)` is a valid command line.

<i>Operator</i>	<i>Description</i>	<i>Operator</i>	<i>Description</i>
+	Addition	<	Less than
-	Subtraction	>	Greater than
/	Division	<=	Less or equal
*	Multiplication	>=	Greater or equal
%	Modulo	&&	And
==	Equal to		Or
!=	Not equal to	!	Negation

Table 4. Supported operators in scripting code.

5.4. Basic scripts

For cooling down the cryostat there are 4 basic scripts that perform the 4 parts of a typical cooldown (see Section 4.2); pumping the vacuum can, starting the pulse tube, running the PPC sequence and condensing of the mixture. For a fully automated cooldown these 4 basic scripts are all combined in one script named 'Auto_CoolDown'. The operations these scripts perform are explained in detail in Chapter 4.2. These scripts can be downloaded from the user support section on the BlueFors web site. For reference these scripts are also listed in Attachment 7.7. Note that the first two scripts (Pump VC and Start PT pre-cool) are different depending on whether the system has the optional 2nd service turbo pump installed.

6. Service

6.1. Connection warnings

It is strongly recommended that some of the connections in the gas handling system not be disconnected by the end-user as they contain epoxy-seals and can be easily damaged if mishandled. These connections are the outlet of the Varian IDP-3 scroll compressor (see Figure 24) and the feedthrough / electrical insulator of the condensing line on top of the GHS (see Figure 25 and Figure 26). If the GHS needs to be moved, the condensing line should be disconnected at the 6mm Swagelok connection on the cryostat top flange.



Figure 24. Compressor service warning.



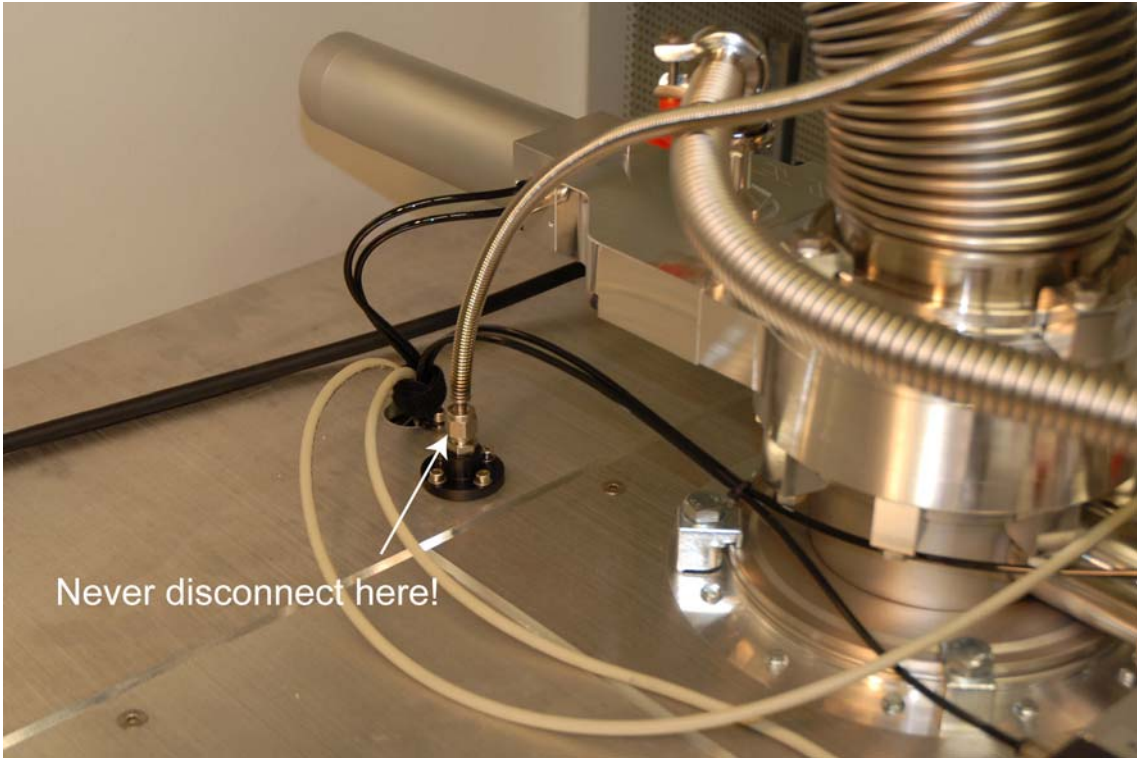


Figure 25. Condensing line top connection warning.

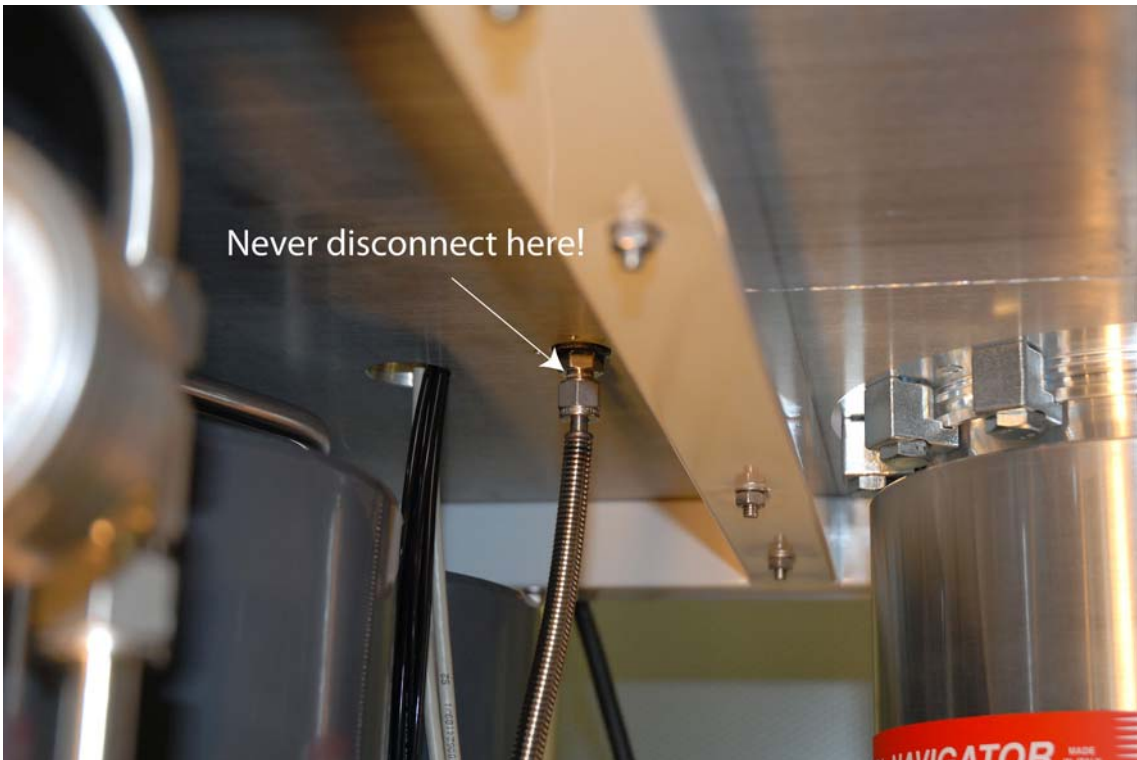


Figure 26. Condensing line top connection warning, part 2.

6.2. Pumps and compressors in the GHS

All the pumps in the GHS are oil-free and will provide many years of trouble-free operation as long as the maintenance procedures and intervals given in Table 5 are observed.

Pump	Maintenance interval	Maintenance procedure
Varian V551 Turbo pump	Maintenance free	
Varian V301 Turbo pump	Maintenance free	
Edwards XDS35i Scroll pump	Every 10,000 hours* of operation or 3 years, whichever comes first.	Replacement of tip seal Factory part no: A730-01-801 (see pump manual for details)
Varian IDP-3 Scroll pump	Every 10,000 hours* of operation or 3 years, whichever comes first.	Replacement of tip seal Factory part no: IDP3TS (see pump manual for details)

Table 5. Maintenance intervals and procedures of the different system pumps.

*Note: hours of operation are given for pump operating at 50 Hz, in principle 20% less when operated at 60 Hz.

Important: When servicing pumps in the main circulation circuit (*Scroll1* and *Compressor*) it is important to make sure no mixture is lost and no air contamination of the mixture will take place.

Special provisions have been made for convenient removal and reinstallation of *Scroll1* (*Edwards XDS35i*) into the main circulation circuit when maintenance is required. To remove the *Scroll1* pumps from the main circulation circuit first the small amount of mixture in the volume at the inlet and outlet of the pump should be stored. This can be done by starting the pump and expanding this mixture into the volume of the cryostat and still line (through *V8* and *V3*). **Note:** it is assumed that the cryostat has been evacuated and *V13* should stay closed. After a few minutes of pumping the



manual close-off valve at the outlet of *Scroll1* (see Figure 27) should now be closed (leaving only a minimal amount of mixture at low pressure in the small volume between this valve and the outlet of the pump(s)). *Scroll1* can now be stopped and the volume at the outlet of the pump(s) can be vented through to the manual maintenance valve (see Figure 5 and Figure 27). At this stage the KF40 flange at the inlet of the pump can be opened, venting the volume between *V10*, *V11* and *V12*. When the KF25 flange at the outlet of the pump (which connects to the particle filter) is also disconnected, the pump can be taken out of the GHS for maintenance. **Note:** At this moment also the particle filter should be taken out and inspected / cleaned.

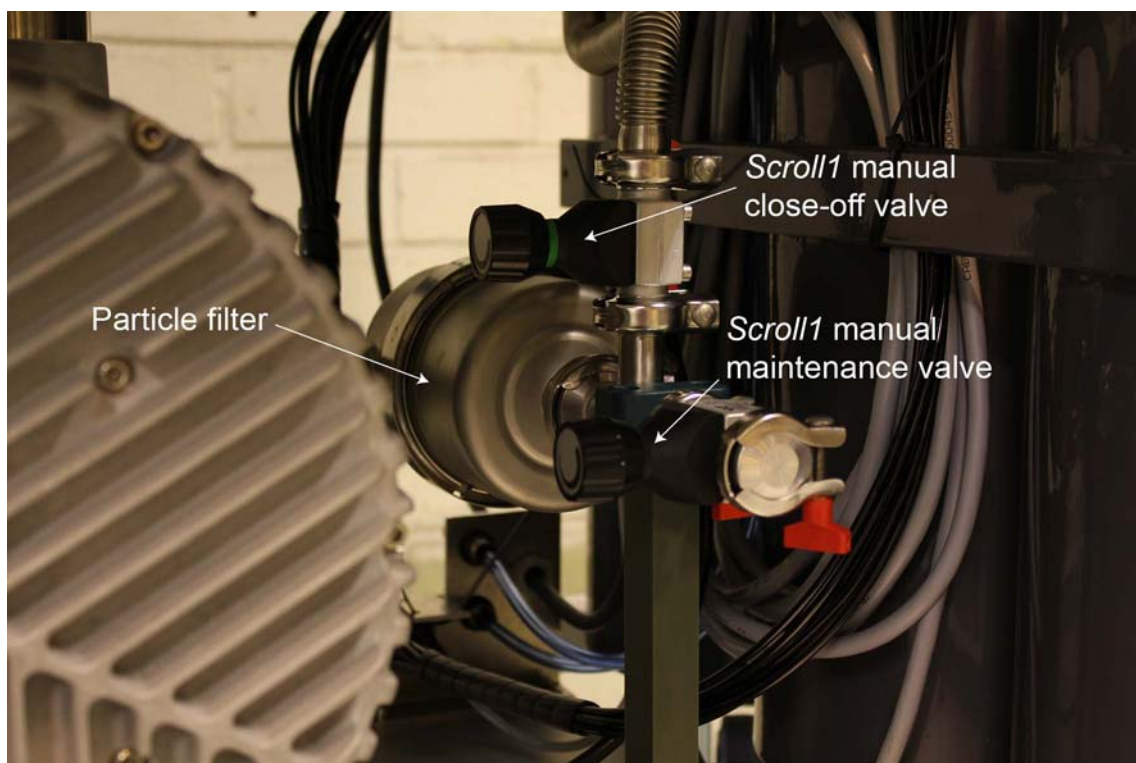


Figure 27. Location of manual close-off valve in the main circulation circuit.

When the maintenance on the pump is finished the pump (and particle filter) can be placed back into the GHS and all KF-vacuum couplings should be restored. The air contamination can be removed from the system by connecting the outlet of the manual maintenance valve (see Figure 5 and Figure 27) to the AUX-port on the service manifold and then pumping it with *Scroll2* (this with the manual service valve open!). To remove the air at the inlet volume of *Scroll1* (between *V10*, *V11* and

V12), also the pump should be running during this procedure. When the evacuation is finished the manual maintenance valve should be closed and the outlet re-secured with the KF16 blind flange.

Important: One should not forget to also (re-)open the manual close-off valve (see Figure 27) in the circulation circuit. When forgotten this can lead to dangerous pressure build-up at the back of the pump and mixture loss.

At this point the *Scroll1* pump is fully functional again and after V8 is closed the mixture which was stored in the cryostat can be pumped back to the volume at the outlet of the *Scroll1* pump.

When removing the small Varian IDP-3 *Compressor* from the circulation for maintenance first the mixture left in this pump should be evacuated and stored somewhere else. This can be done by *Scroll1* via V4, V5 and V10, storing the small amount of mixture at the outlet of *Scroll1*. During this procedure also the IDP-3 *Compressor* itself should running in order to evacuate the mixture at the inlet of this pump. When the evacuation is finished V4, V5 and V10 should be closed and the pump can now be removed from the GHS. **Note:** In order to remove the IDP-3 it should be disconnected at the 6mm Swagelok coupling located at the high pressure panel, see Figure 24, **not** at the coupling directly on its outlet.

When the maintenance on the IDP-3 pump is finished it can be placed back into the GHS and the KF16 coupling on the inlet and the 6mm Swagelok coupling on the outlet line reattached. The air contamination in the pump can be removed via *Scroll2* on the service manifold via V21, V17, V4 and V5. During the evacuation the IDP-3 *Compressor* should be running in order to also remove the air at the inlet side of the pump. **Note:** during this procedure also a small amount of air will be released into the condensing line of the DR. It is therefore recommended to also evacuate the complete DR with the turbo pump afterwards.



6.3. PT and PT compressor

The pulse tube cold head contains no user-serviceable parts. For connecting and disconnecting the Aeroquip flex-lines refer to the Cryomech user manual. The PT compressor maintenance schedule is given in Table 6.

Maintenance	Maintenance interval
Replace absorber	Every 20,000 hours (see manual for details)
Vent helium gas	As required
Charge helium gas	As required

Table 6. PT compressor maintenance schedule.

6.4. Cleaning the external cold trap

When the external LN2 cold trap is in use, the active carbon inside should be regenerated regularly. Typically this should be done at the end of a run when the DR system is warmed up to room temperature. First, while the trap is still cold, all mixture should be evacuated from it. This can be done by pumping it into the mixture tank with *Scroll1* via V7, V3, V2, V10 and V13 (keeping V9 closed). **Note:** because the evacuation of the mixture from the trap is done via the still pumping line, it should only be done when the DR is already evacuated. After the mixture is evacuated from the trap **all** valves should be closed (especially V3 to the DR). After that the trap should be pumped with *Scroll2* via the service manifold and V17 and V7. It can now be removed from the LN2 dewar.

Important: Only remove the cold LN2 trap from the dewar when it is being pumped (to air), as otherwise there can be unwanted pressure build up in the trap in case it has collected large amounts of impure gas (air).



While the cold trap is still being pumped, its body should be heated with a heat-gun for approximately 5-10 minutes to approximately 100 degrees Celsius to regenerate the charcoal inside. Afterwards all valves should be closed and the trap should be stored with vacuum inside.

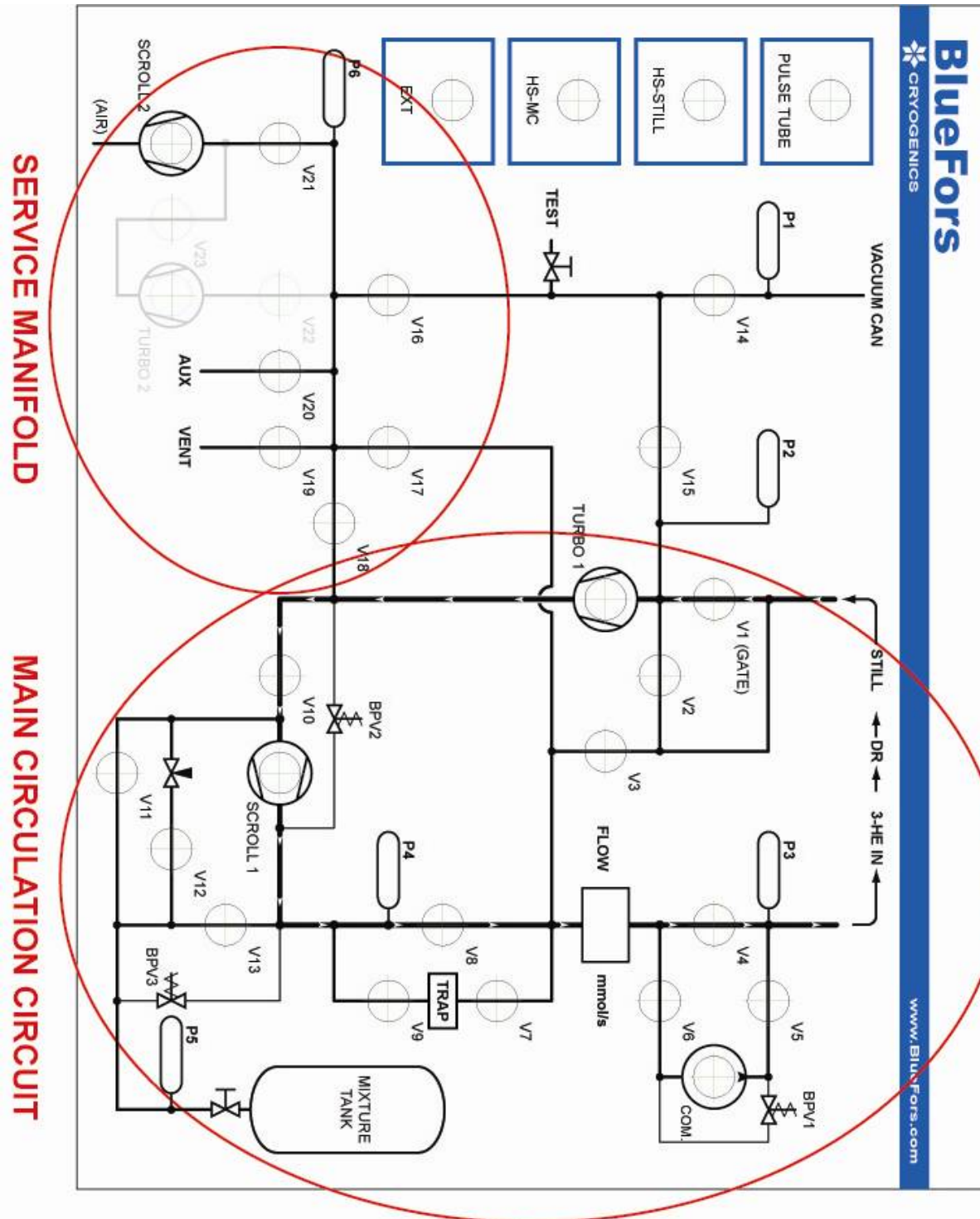
In the unlikely case the cold trap blocks during a run (**note:** in that case the system should be checked for air leaks!) the Helium-3 circulation will need to be temporarily interrupted. First of all *Turbo1* and the still heater have to be switched off. Then the Helium-3 flow from the still of the DR has to be redirected to the mixture tank by first closing off the inlet of the cold trap with *V9* and then opening *V13* to the mixture tank. The pressure p_3 in the trap will now go down, because mixture will continue to condense into the DR via the condensing line. When p_3 is low enough (0-50 mbar) the condensing line should be closed off with *V4*. At this point the gate valve *V1* should also be closed and the small amount of mixture left in trap can now be pumped to the mixture tank via *V17*, the service manifold and *V18*. **Note:** make sure when doing so, that the service manifold volume is evacuated ($p_6 < 1$ mbar) and completely closed off! When the mixture evacuation of the cold trap has finished ($p_6 < 1$ mbar), *V17* and *V18* can be closed and also the gate valve *V1* can be opened again (**note:** first equalize the pressure over the gate valve via *V2*). While the single cycle is continued, the now empty cold trap can be pumped with *Scroll2* via the service manifold and *V17* and then cleaned and regenerated as described in the previous two paragraphs.

After the cleaning and regeneration, *V17* to the service manifold should be closed and the cold trap should be inserted back into its dewar. At this point *V9* to the trap should be opened, admitting mixture from the tank back into the trap. Allow approximately 5-10 minutes for the trap to cooldown and then restore the circulation by closing *V13* to the tank and opening *V4* to the condensing line. The mixture collected in the tank can now be condensed back into the DR (see Section 4.2) and when done *Turbo1* can be restarted and heat can be reapplied to the still.



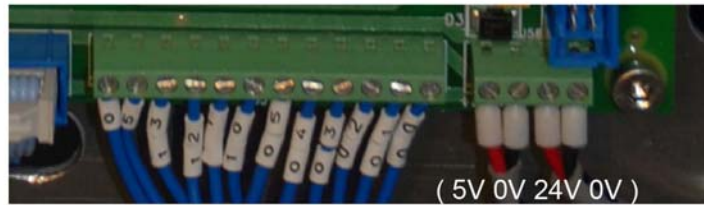
7. Attachments

7.1. Flow diagram



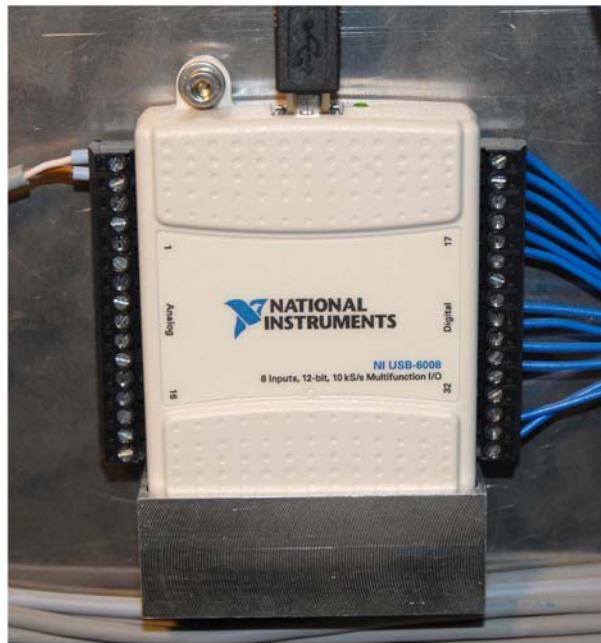
7.2. NI DAQ

Main Board



GND +5V P1.3 P1.2 P1.1 P1.0 P0.5 P0.4 P0.3 P0.2 P0.1 P0.0

Flow GND - 01
 Flow signal - 02
 nc - 03
 nc - 04
 nc - 05
 nc - 06
 nc - 07
 nc - 08
 nc - 09
 nc - 10
 nc - 11
 nc - 12
 nc - 13
 nc - 14
 nc - 15
 nc - 16



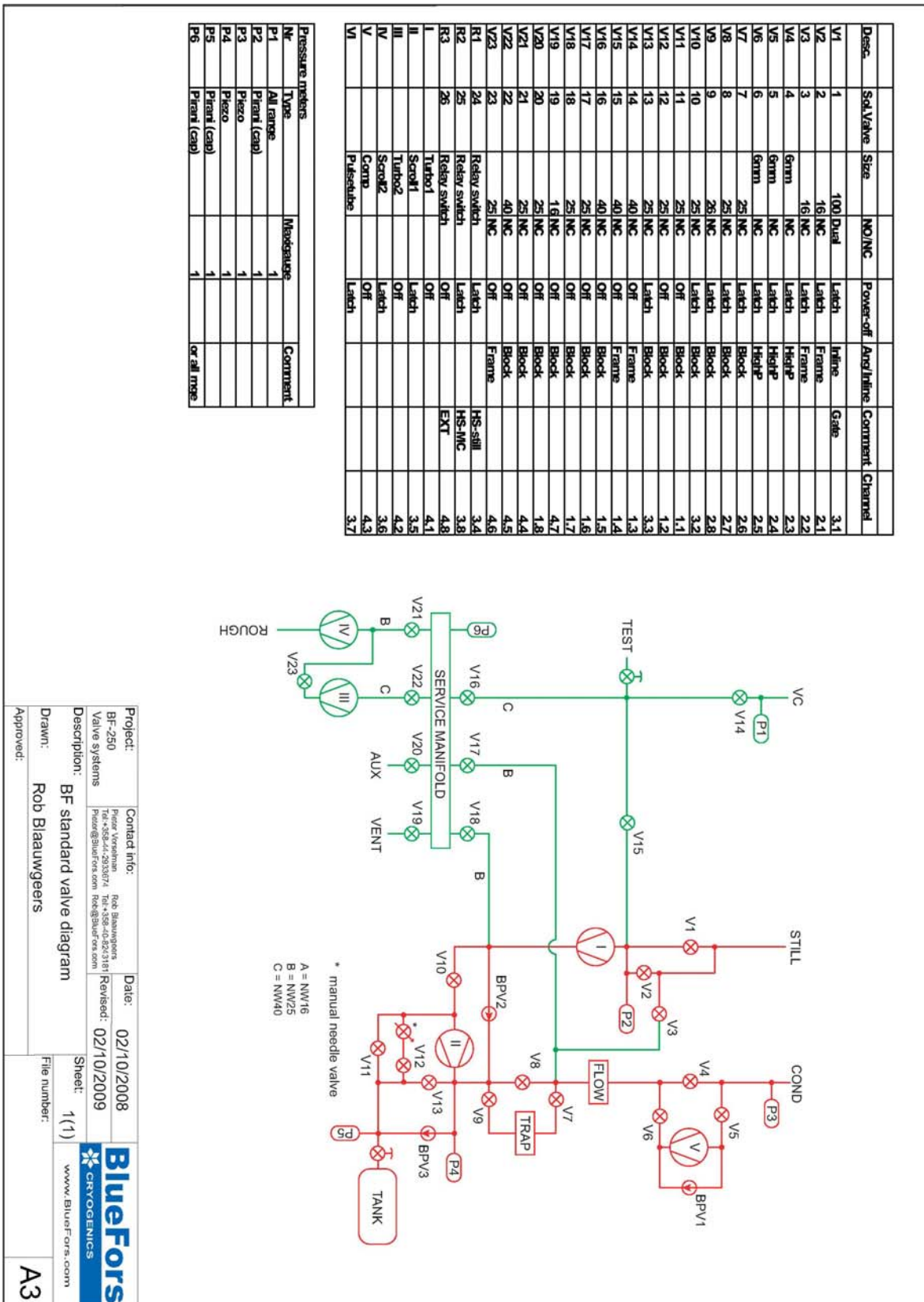
17 - P0.0
 18 - P0.1
 19 - P0.2
 20 - P0.3
 21 - P0.4
 22 - P0.5
 23 - nc
 24 - nc
 25 - P1.0
 26 - P1.1
 27 - P1.2
 28 - P1.3
 29 - nc
 30 - nc
 31 - +5V
 32 - GND

7.3. Layout file (example)

```
ValveControlLayout;ValveControl;1;0;
Comment;Ch_data:_"Ch;Name;Var_name;X;Y;Use;Address;Confirmation_required"
Ch;V1;v1;428;193;1;2;0
Ch;V2;v2;482;232;1;1;0
Ch;V3;v3;537;271;1;9;0
Ch;V4;v4;662;193;1;17;0
Ch;V5;v5;716;154;1;25;0
Ch;V6;v6;716;232;1;33;0
Ch;V7;v7;716;349;1;41;0
Ch;V8;v8;662;388;1;49;0
Ch;V9;v9;716;427;1;57;0
Ch;V10;v10;482;505;1;10;0
Ch;V11;v11;552;622;1;0;0
Ch;V12;v12;607;583;1;8;0
Ch;V13;v13;662;544;1;18;0
Ch;V14;v14;209;193;1;16;0
Ch;V15;v15;318;232;1;24;1
Ch;V16;v16;209;427;1;32;0
Ch;V17;v17;318;427;1;40;1
Ch;V18;v18;373;466;1;48;1
Ch;V19;v19;318;505;1;51;0
Ch;V20;v20;264;505;1;56;0
Ch;V21;v21;100;505;1;27;0
Comment;Ch;V22;v22;209;505;1;35;0
Comment;Ch;V23;v23;154;583;1;43;0
Ch;R1;hs-still;69;200;1;26;0
Ch;R2;hs-mc;69;291;1;58;0
Ch;R3;ext;69;381;1;59;0
Ch;Turbo1;turbo1;428;271;1;3;0
Ch;Scroll1;scroll1;553;506;1;34;0
Comment;Ch;Turbo2;turbo2;209;583;1;11;0
Ch;Scroll2;scroll2;100;583;1;42;0
Ch;Comp;compressor;771;193;1;19;0
Ch;Pulsetube;pulsetube;69;110;1;50;0
Meter;P1;1;159;164
Meter;P2;1;324;164
Meter;P3;1;611;164
Meter;P4;1;613;437
Meter;P5;1;744;593
Meter;P6;1;50;476
Meter;Flow;1;650;275
Config;Width;855
Config;Height;654
Config;Xoffset;12
Config;Yoffset;15
Config;name;STANDARD
Config;Background;BF_standard.png
```

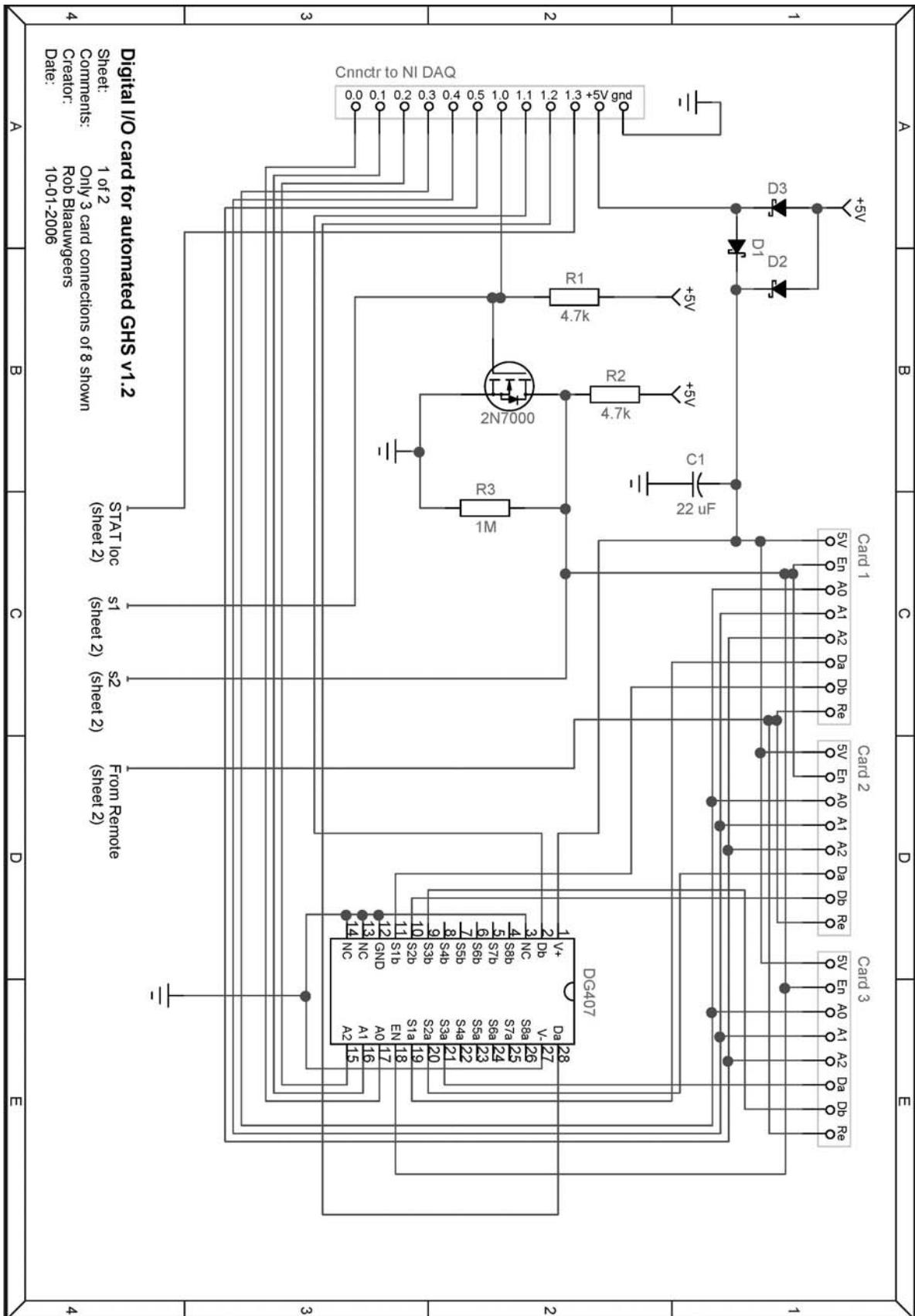


7.4. System valve diagram

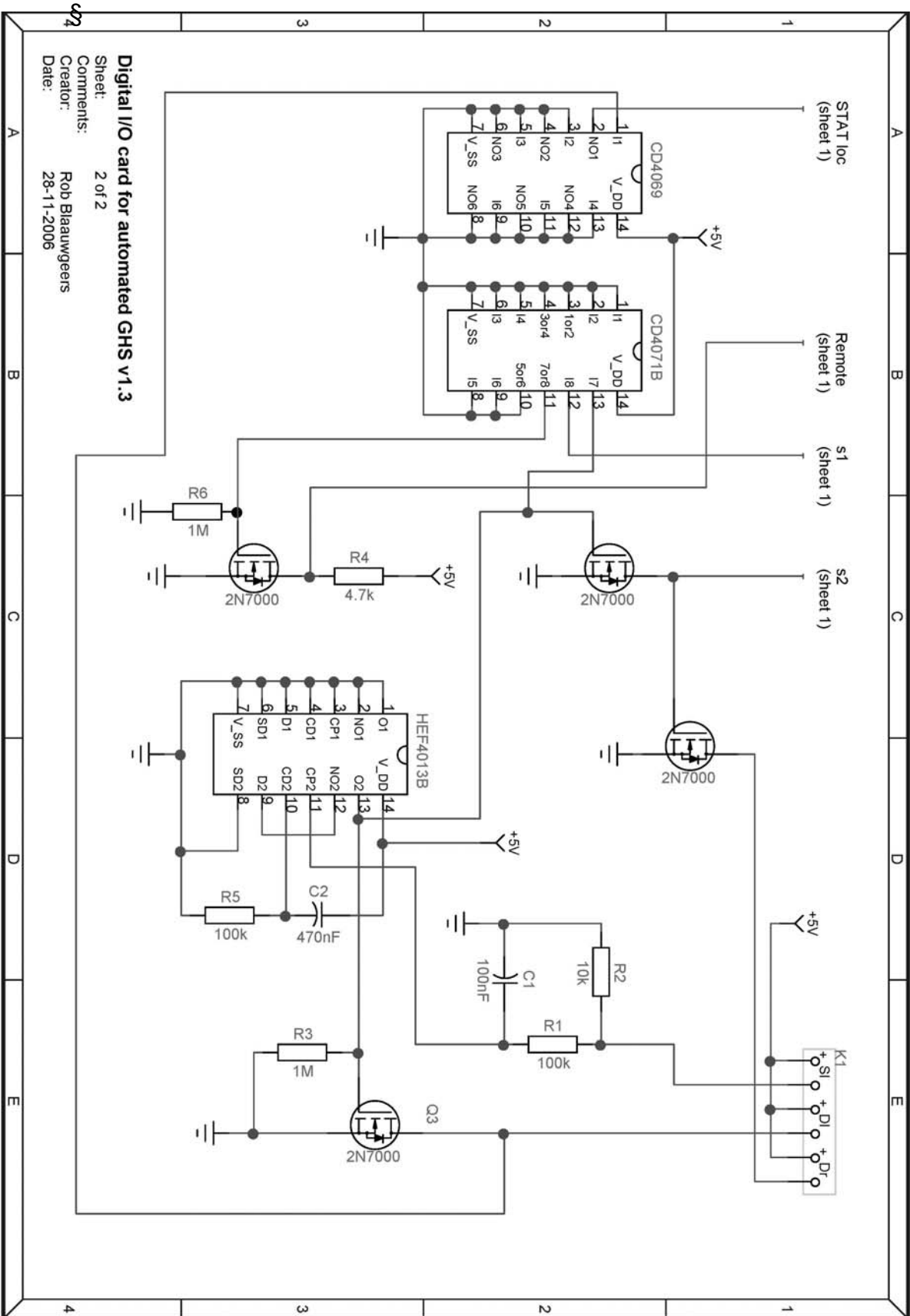


7.5. Circuit diagrams

Main Circuit Board I/O(Sheet 1 of 2)

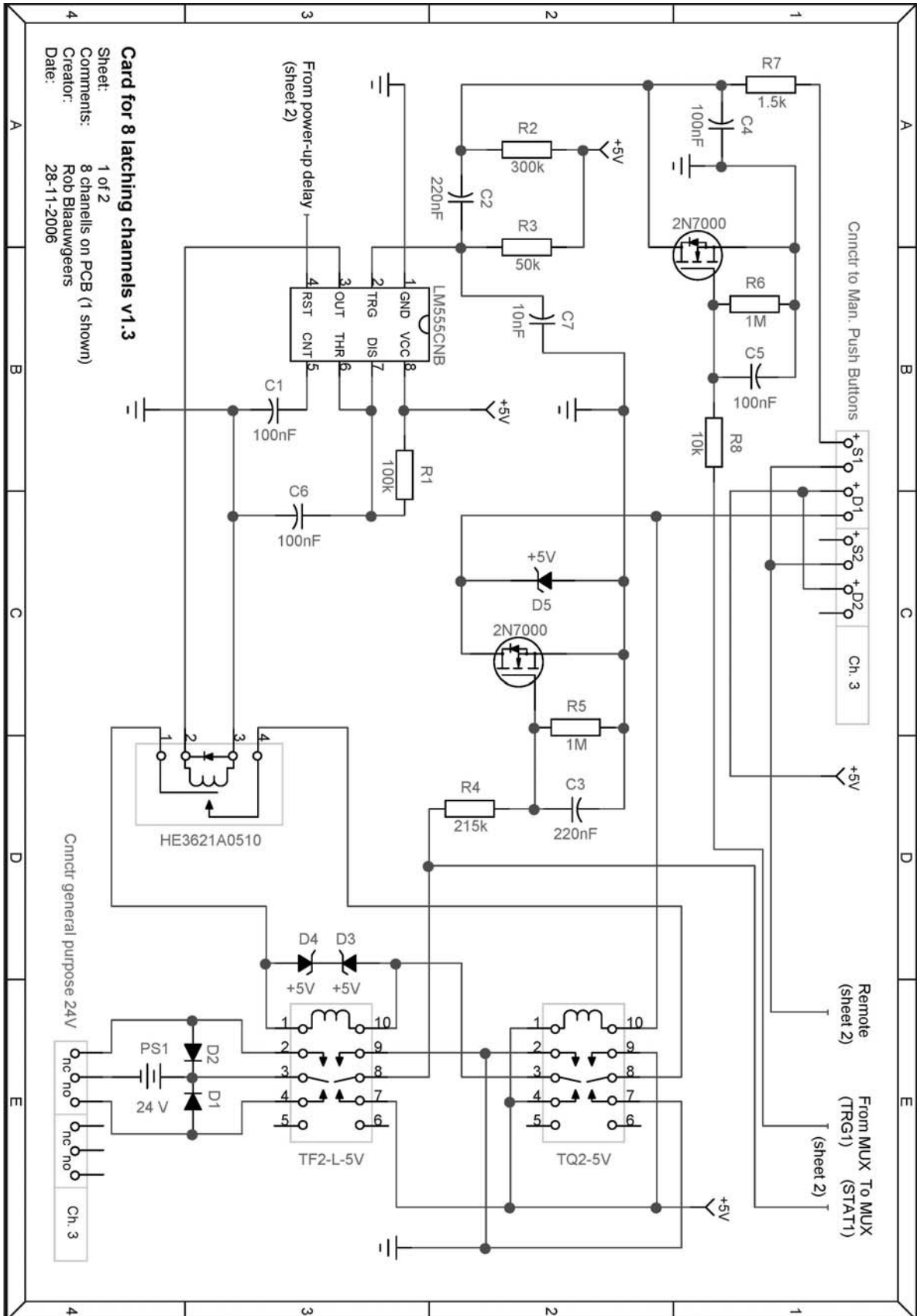


Main Circuit Board I/O (Sheet 2 of 2)

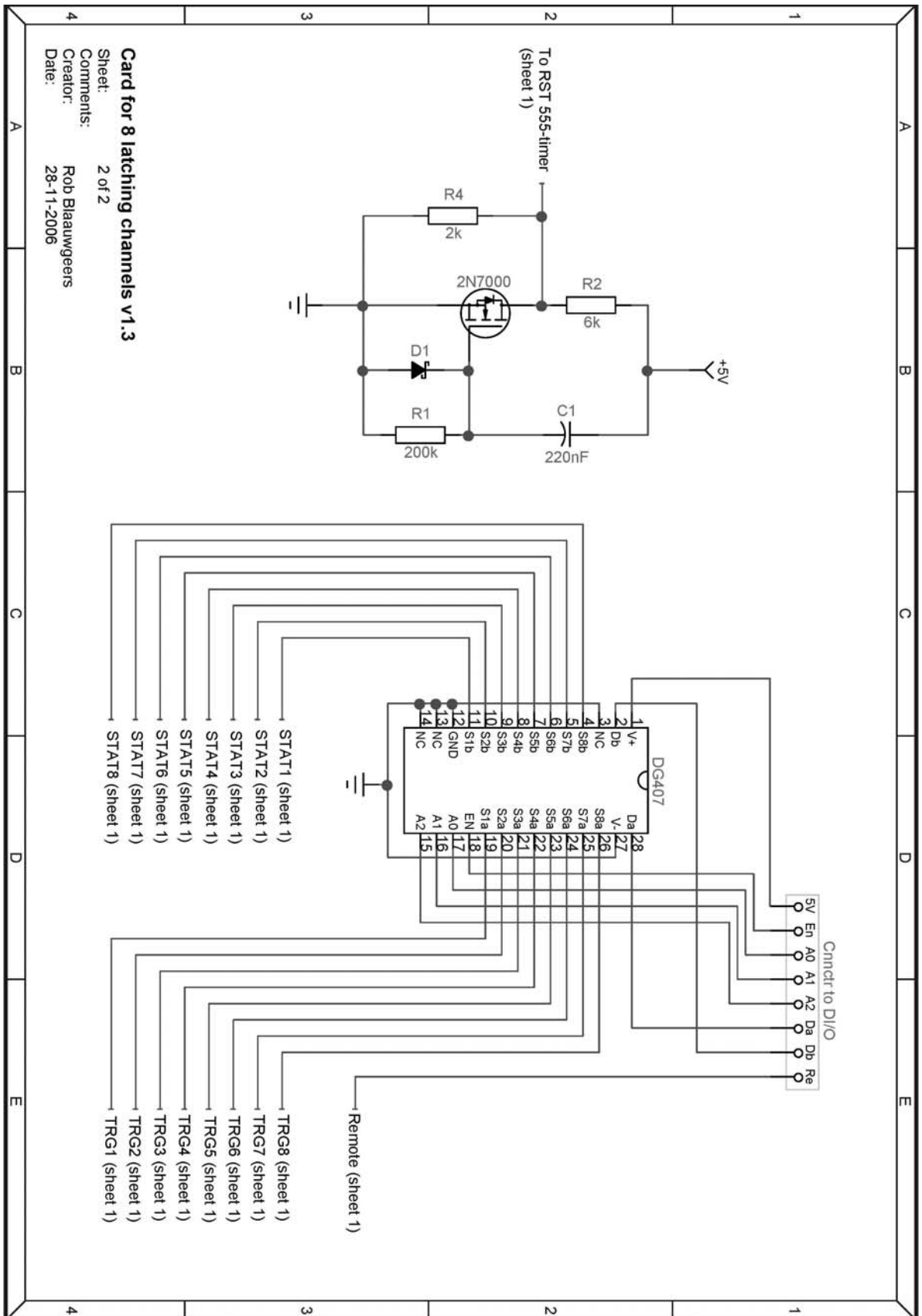


Digital I/O card for automated GHS v1.3
 Sheet: 2 of 2
 Comments:
 Creator: Rob Blaauwgeers
 Date: 28-11-2006

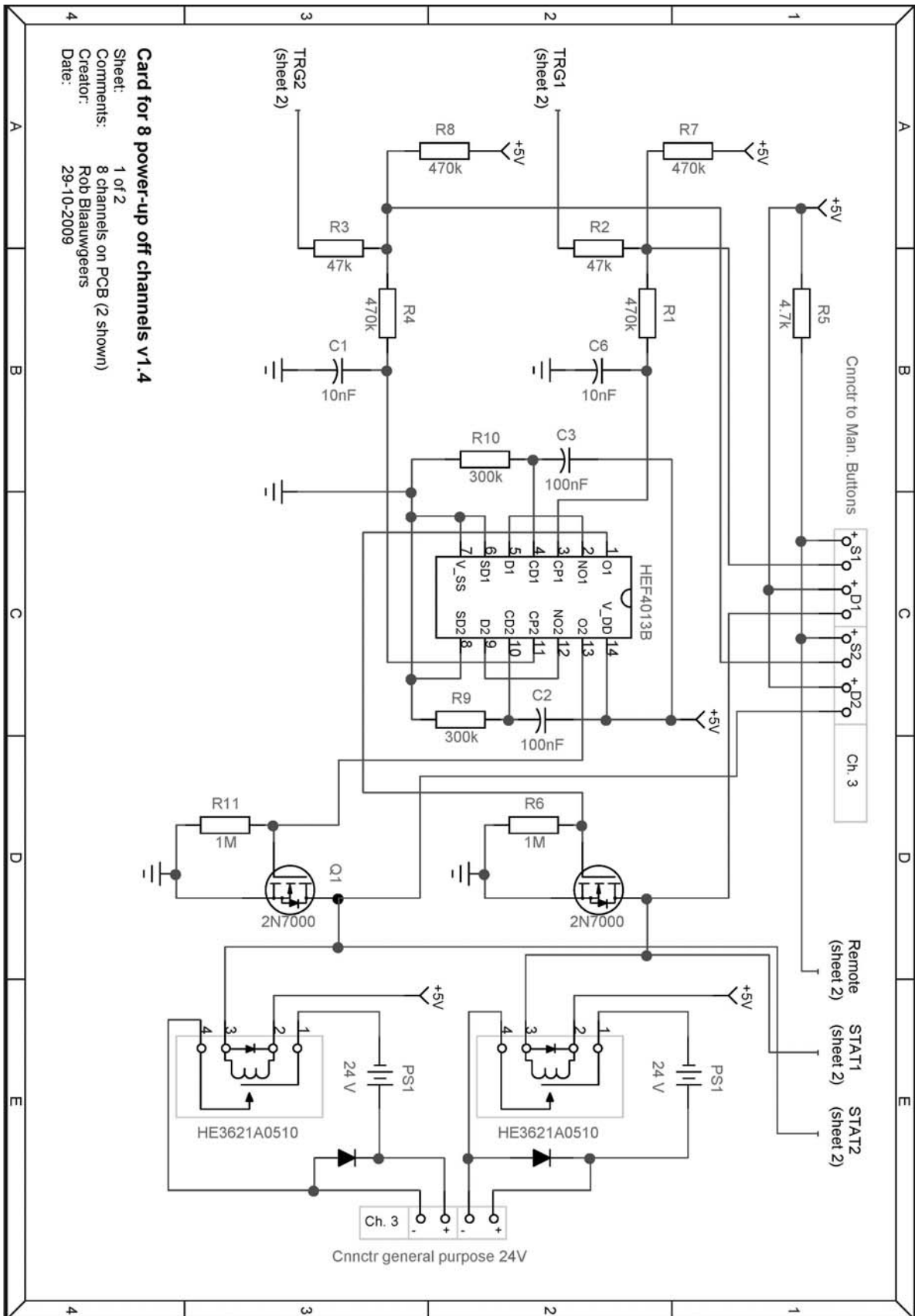
Latching Channels (Sheet 1 of 2)



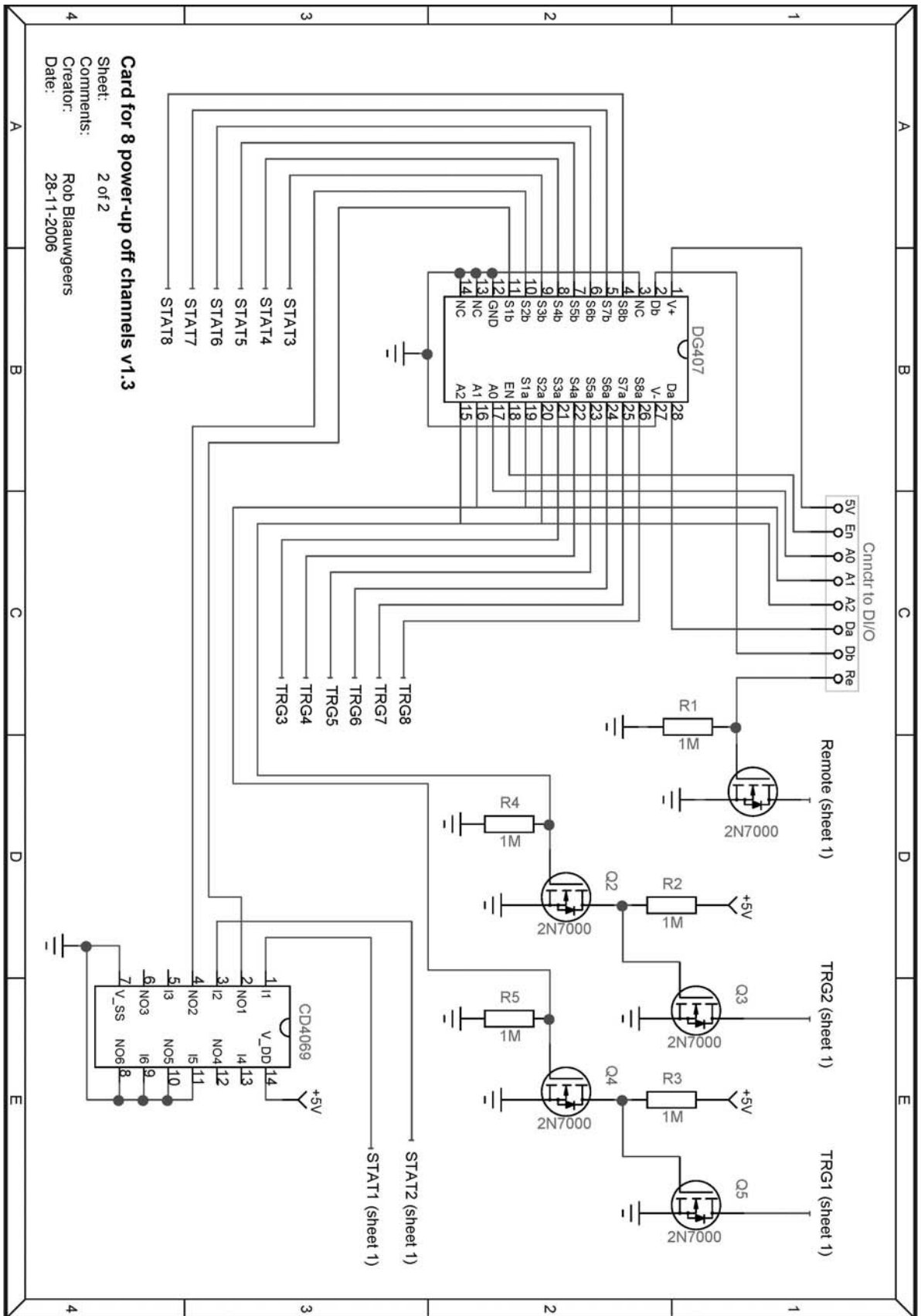
Latching Channels (Sheet 2 of 2)



Off Channels (Sheet 1 of 2)

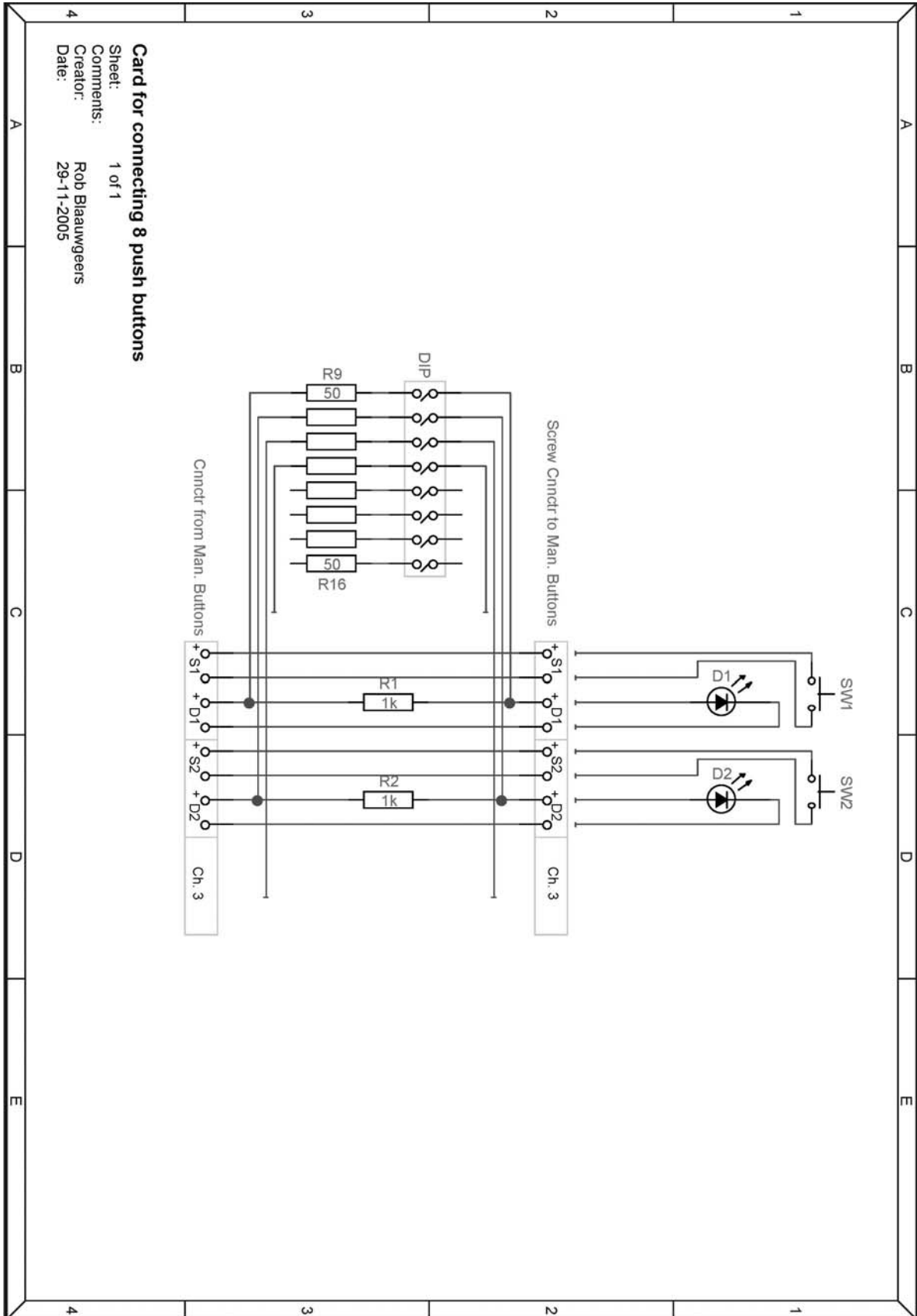


Off Channels (Sheet 2 of 2)

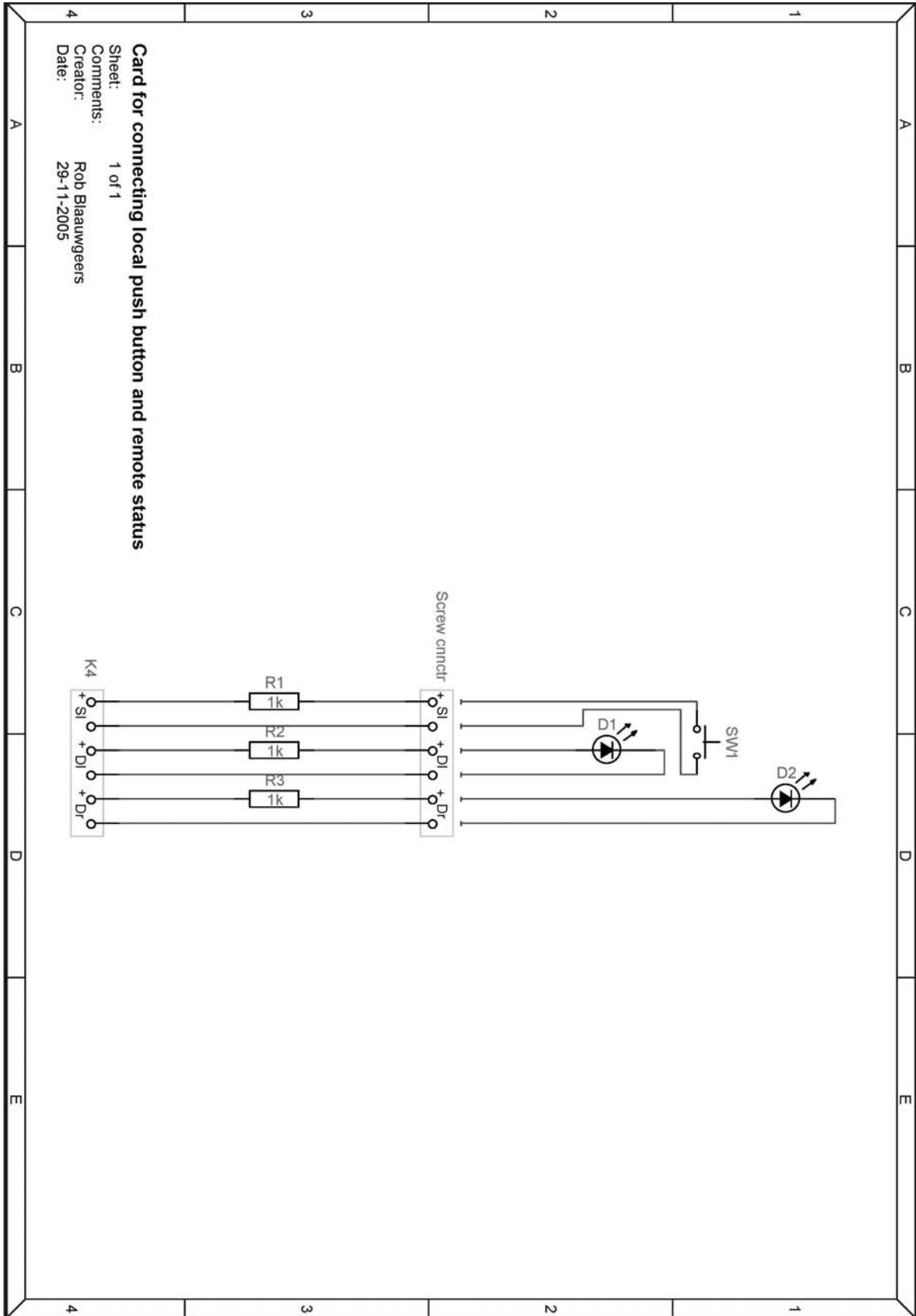


Card for 8 power-up off channels v1.3
 Sheet: 2 of 2
 Comments:
 Creator: Rob Blaauwgeers
 Date: 28-11-2006

Push Button Distribution Board (Sheet 1 of 2)



Push Button Distribution Board (Sheet 2 of 2)

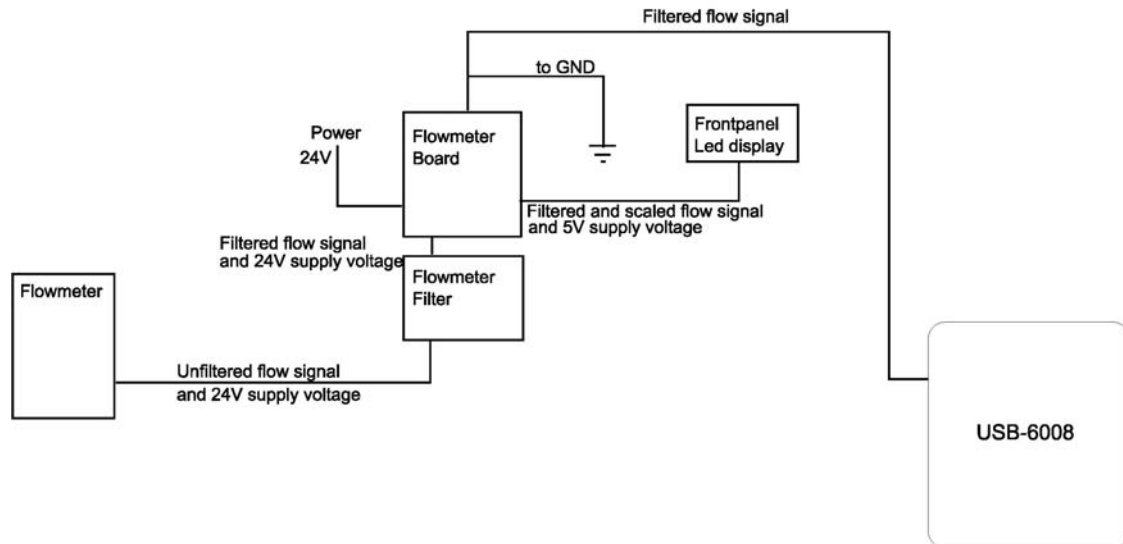


Card for connecting local push button and remote status

Sheet: 1 of 1
Comments:
Creator: Rob Blaauwgeers
Date: 29-11-2005

7.6. Flow-meter circuitry

The flow-meter PCB is used to supply voltage to the flow-meter and the front panel LED display and to calibrate the output signal of the flow-meter for the LED display. In standard configuration a low-pass filter is directly connected to it. All parts are connected in the following way:



Flow-meter PCB

The flow-meter board is the main part of the flow-meter support circuitry. It is located at inside the control cabinet on the DIN rail, next to the relays and power supplies. The main purpose of it is to supply a regulated 5V voltage and scaled flow signal to the front panel LED display. Also it passes the supply voltage to the flow-meter and directs the (unscaled) signal from flow-meter to the NI USB-6008 computer interface.

Flow-meter filter

This filter filters out low frequency (on the order of 1Hz) flow oscillation caused by the pulse tube cooler. These oscillations do not exist in the actual flow through the dilution refrigerator. They are caused by changing gas pressure in the condensing line due to temperature fluctuations (the condensing line which is well anchored to



the pulse tube cooler). In general these oscillations are of no interest, only causing hard-to-read flow values. The filter is placed between the flow-meter and flow-meter board and is connected directly to lower end of the flow-meter board. The filter input and flow-meter board input have the same pin-out, hence if one wants to monitor the unfiltered signal, it can be just taken out (and connecting the flow-meter straight to the flow-meter board).

LED display

The front panel LED display is a voltage display module (*Lascar* model SP300). It has a custom adaptor board attached to it, which makes it possible to directly connect with ribbon cable to it. The ribbon cable pin-out is the same as the display pin-out.

Flow-meter

The *Bronkhorst High-Tech* model F-11B-2K0-ABD-33-V flow-meter unit is located on the high-pressure panel of the gas handling system.

USB-6008 DAQ

This is the same *National Instruments* USB-6008 DAQ unit which is used to remotely control the rest of the system. The flow-meter is connected to analog input 0 with respect to ground.



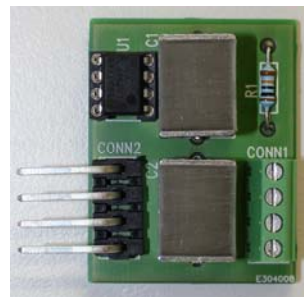
Calibration of the front panel LED display

The easiest way to scale the flow-meter display is to look from the flow-meter calibration sheet for the highest flow calibration value and the corresponding output voltage. Then disconnect the flow-meter and connect a power supply with that voltage to the flow input (flow-meter board connector J2 pin 1 (signal) and 2(gnd)).Next adjust the trimmer (R3) on the flow-meter board until the display shows the corresponding maximum flow reading as given in the calibration sheet.

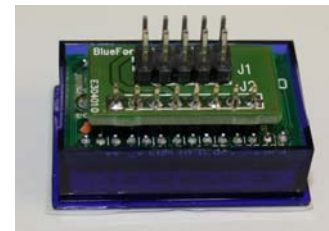
Pictures of the flow-meter read-out parts



Flow-meter PCB



Flow-meter LP-filter

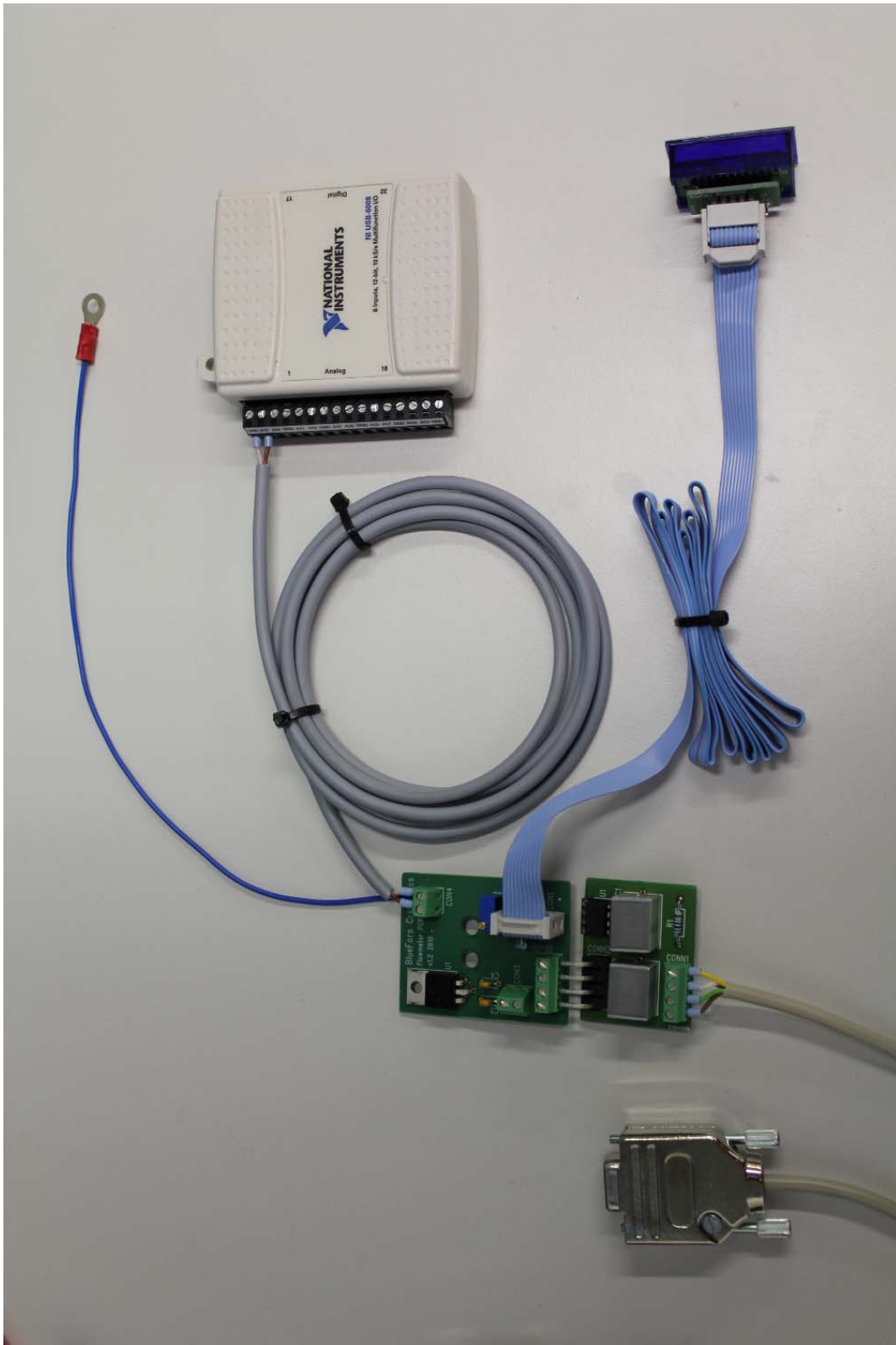


LED display



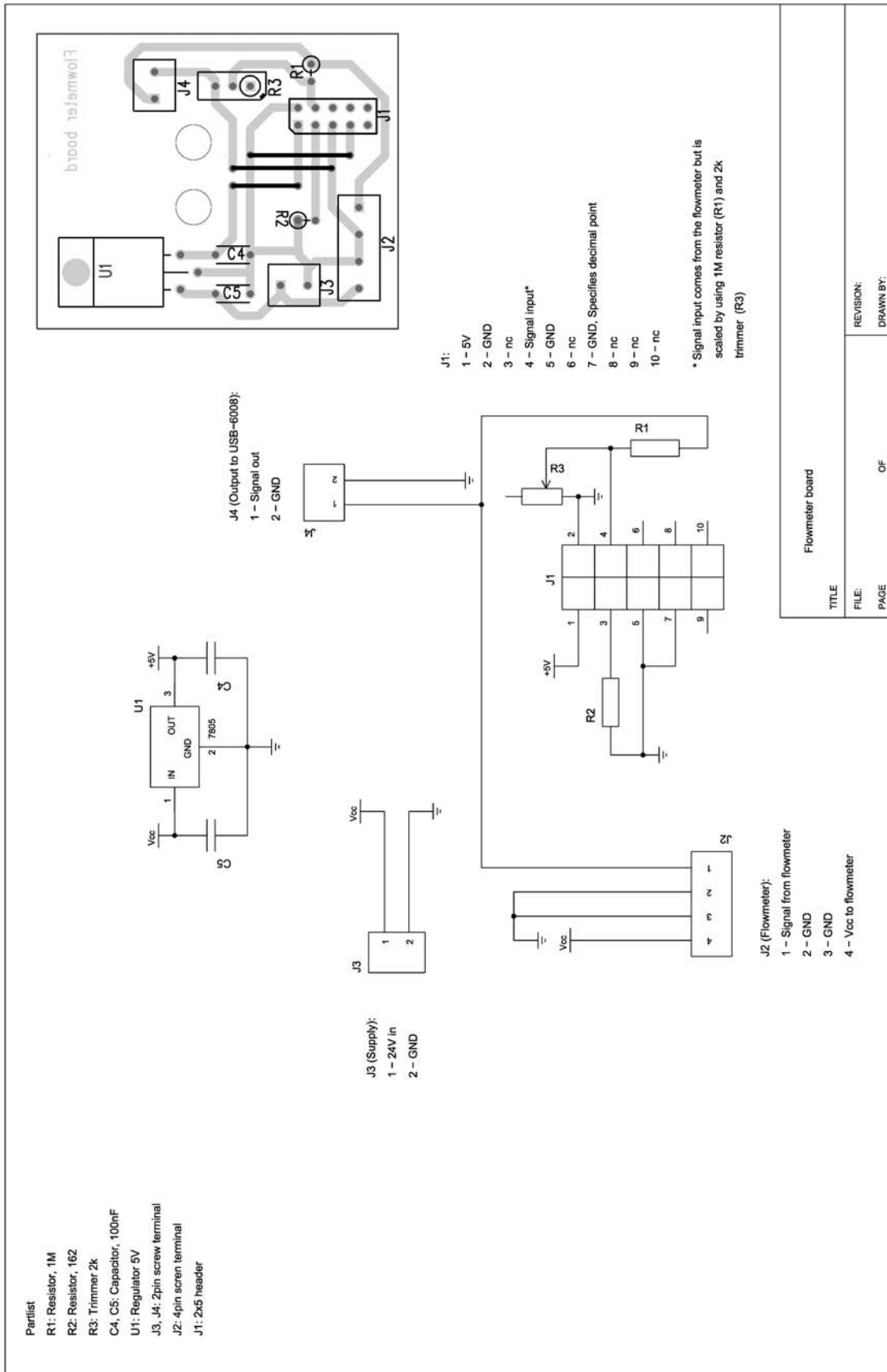
Location of the flow-meter PCB inside the control unit



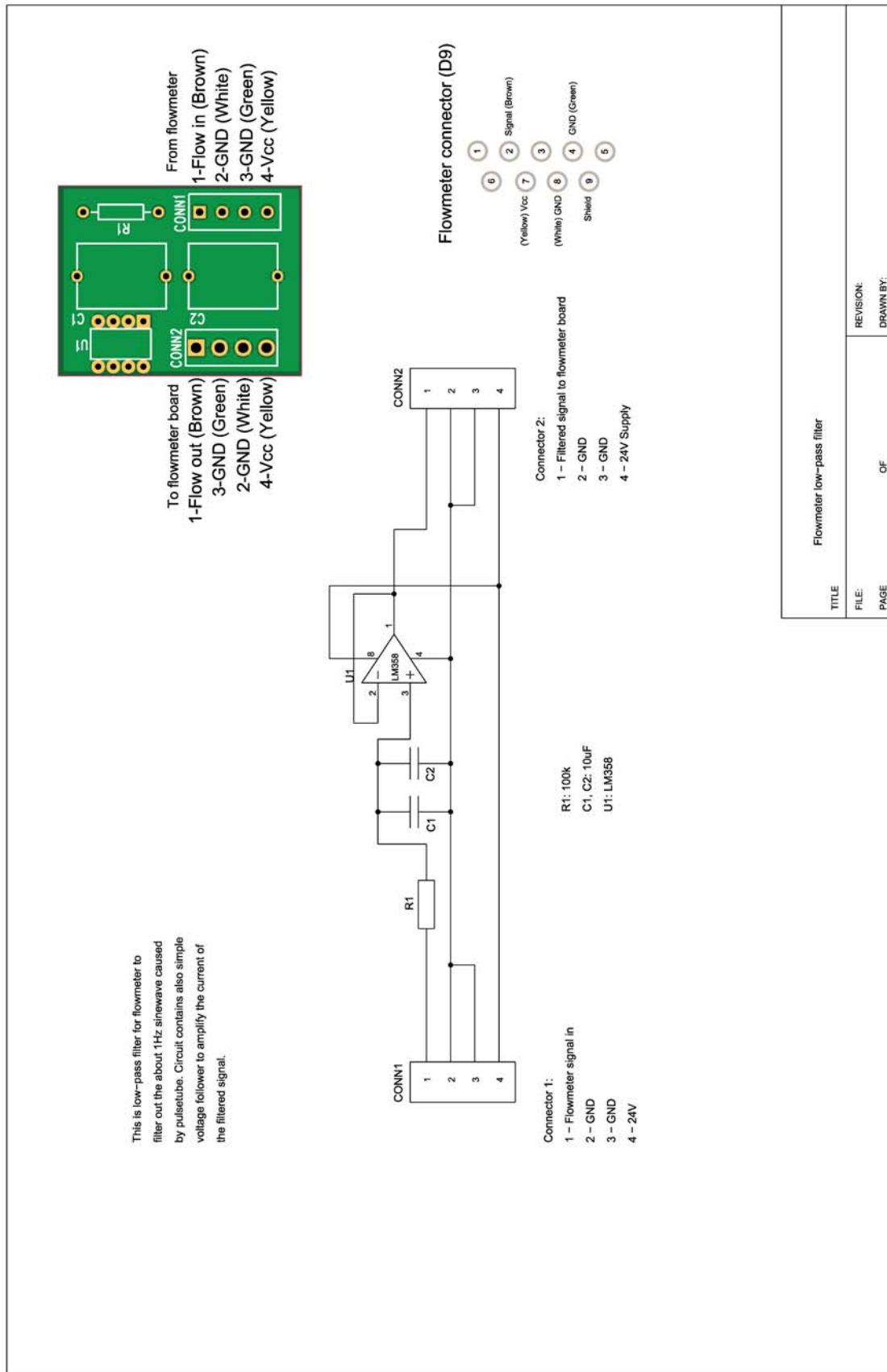


Flow-meter circuitry assembly (flow-meter itself not shown)

Flow-meter PCB layout



Flow-meter LP-filter PCB layout



7.7. Scripts

Pump VC (for system without additional turbo pump)

```
C Pump_VC_standard.
C v1.0 (LD)

START

C Script assumes DR is evacuated!

STATE 1
SET_STATE 100

STATE 100
OFF_ALL
SET_STATE 110

STATE 110
IF p3>10
ERROR DR not evacuated!
C Script will be stopped if DR is not evacuated!
ELSE
ON scroll12
SET_STATE 111
WAIT 10
ENDIF

STATE 111
C Start roughing VC.
ON v21
ON v16
ON v14
SET_STATE 120
WAIT 120

STATE 120
C Start high vac pumping VC with turbol.
IF p1<1
OFF v16
ON v15
ON v18
ON turbol
SET_STATE 130
WAIT 10
ELSE
SET_STATE 120
WAIT 60
ENDIF

STATE 130
C Check for leaks (13X).
IF p1>0.002
SET_STATE 131
ELSE
SET_STATE 200
ENDIF

STATE 131
IF time<7200
SET_STATE 130
WAIT 60
ELSE
OFF v14
OFF v15
OFF v18
OFF v21
OFF turbol
OFF scroll12
ERROR Pressure in VC dropping too slow, check o-ring seals!
ENDIF
```



STATE 200
STOP
END

Start PT (for system without additional turbo pump)

```
C Pump_VC_Start_PT_standard.  
C v1.0 (LD)  
  
C Start_PT_standard.  
  
START  
  
STATE 1  
SET_STATE 200  
  
STATE 200  
C start PT and open HS-STILL and HS-MC.  
IF p1<0.002  
ON pulsetube  
ON hs-still  
ON hs-mc  
SET_STATE 210  
ELSE  
SET_STATE 200  
WAIT 60  
ENDIF  
  
STATE 210  
C Stop pumping.  
IF p1<0.00001  
OFF v14  
OFF v15  
OFF v18  
OFF v21  
OFF turbol1  
OFF scroll12  
SET_STATE 220  
WAIT 3600  
C Delay to x-gas admission.  
ELSE  
SET_STATE 210  
WAIT 60  
ENDIF  
  
STATE 220  
C Admit x-gas to VC (22X).  
ON v13  
ON v8  
SET_STATE 221  
WAIT 2  
  
STATE 221  
OFF v13  
SET_STATE 222  
WAIT 2  
  
STATE 222  
ON v3  
SET_STATE 223  
WAIT 10  
  
STATE 223  
OFF v3  
OFF v8  
SET_STATE 300  
WAIT 1  
C Delay time to PPC or condensing cycle.  
  
STATE 300  
STOP  
  
END
```



Pulse Pre-Cool

```
C Pulse_PreCool (PPC).
C v1.0 (LD)

START

STATE 1
SET_STATE 300

STATE 300
C Evacuate DR (30X).
ON scroll1
SET_STATE 301
WAIT 10

STATE 301
SET var1=time
ON v13
ON v10
ON v2
ON v3
ON v4
SET_STATE 302
WAIT 10

STATE 302
IF p3<10
OFF v4
OFF v10
SET_STATE 310
WAIT 1
ELSE
SET_STATE 302
WAIT 10
ENDIF

STATE 310
C PPC loop (31X).
ON v8
SET_STATE 311
WAIT 15

STATE 311
C PPC pump.
OFF v3
ON v10
SET_STATE 312
WAIT 15
C Pumping time PPC.

STATE 312
C PPC in.
IF time<(var1+5400)
C Time trigger for stopping PPC.
OFF v10
ON v3
SET_STATE 311
WAIT 8
C Inlet time PPC.
ELSE
SET_STATE 320
ENDIF

STATE 320
C Stop PPC and start circ. (320X).
OFF v13
SET_STATE 321
WAIT 2

STATE 321
ON v4
```



```
SET_STATE 322
WAIT 60
C Delay for opening gate valve.
```

```
STATE 322
ON v1
OFF v2
SET_STATE 323
```

```
STATE 323
IF p3<50
ERROR DR too hot or blocked!
ELSE
SET_STATE 400
ENDIF
```

```
STATE 400
STOP
```

```
END
```



Condensing (through LN2 trap)

```
C Condense_wLN2.
C v1.1 (LD)

START

STATE 1
SET_STATE 400

STATE 400
C Start circ. through trap and comp. (40X).
OFF v8
ON v9
ON v7
OFF v4
ON v6
ON compressor
ON v5
SET_STATE 401
WAIT 5

STATE 401
ON scroll1
SET_STATE 402
WAIT 10

STATE 402
ON v10
ON v2
SET_STATE 403
WAIT 60
C Delay for opening gate valve.

STATE 403
ON v1
OFF v2
SET var2=p5
SET_STATE 410

STATE 410
C High tank pressure condensing (41X).
IF p5>250
SET_STATE 411
ELSE
SET_STATE 420
ENDIF

STATE 411
IF p4<600
ON v12
OFF v10
SET_STATE 412
WAIT 0.5
ELSE
OFF v12
C Confirmation closing V12.
SET_STATE 410
WAIT 10
ENDIF

STATE 412
IF p4>900
OFF v12
ON v10
SET_STATE 413
WAIT 10
C Delay to recover p5 undershoot.
ELSE
SET_STATE 412
WAIT 0.5
ENDIF
```



```
STATE 413
C Close hs-still and hs-mc.
IF p5<(var2-50)
C var2 set to p5 at start of condensing.
OFF hs-still
OFF hs-mc
SET_STATE 410
ELSE
SET_STATE 410
ENDIF
```

```
STATE 420
C Low tank pressure condensing (42X).
OFF v12
C Confirmation closing V12.
```

```
IF p5>50
SET_STATE 421
ELSE
SET_STATE 430
ENDIF
```

```
STATE 421
IF p4<600
ON v11
OFF v10
SET_STATE 422
WAIT 0.5
ELSE
OFF v11
C Confirmation closing V11.
SET_STATE 420
WAIT 10
ENDIF
```

```
STATE 422
IF p4>900
OFF v11
ON v10
SET_STATE 420
WAIT 10
C Delay to recover p5 undershoot.
ELSE
SET_STATE 422
WAIT 0.5
ENDIF
```

```
STATE 430
C Empty tank.
ON v11
SET_STATE 431
WAIT 300
```

```
STATE 431
OFF v11
SET_STATE 440
```

```
STATE 440
C Start circulation (44X).
OFF compressor
SET_STATE 441
```

```
STATE 441
IF p3<1000
OFF v5
OFF v6
SET_STATE 442
ELSE
SET_STATE 441
WAIT 2
ENDIF
```

```
STATE 442
IF p3<p4
```



```
ON v4
SET_STATE 443
WAIT 900
ELSE
SET_STATE 442
WAIT 2
ENDIF

STATE 443
IF p3<700
ON turbol
SET_STATE 444
WAIT 1200
C Delay time to apply still heat.
ELSE
SET_STATE 443
WAIT 5
ENDIF

STATE 444
ON ext
C Apply default still heating.
SET_STATE 500

STATE 500
STOP

END

C v1.1 extra confirmation for OFF v12 added
```

