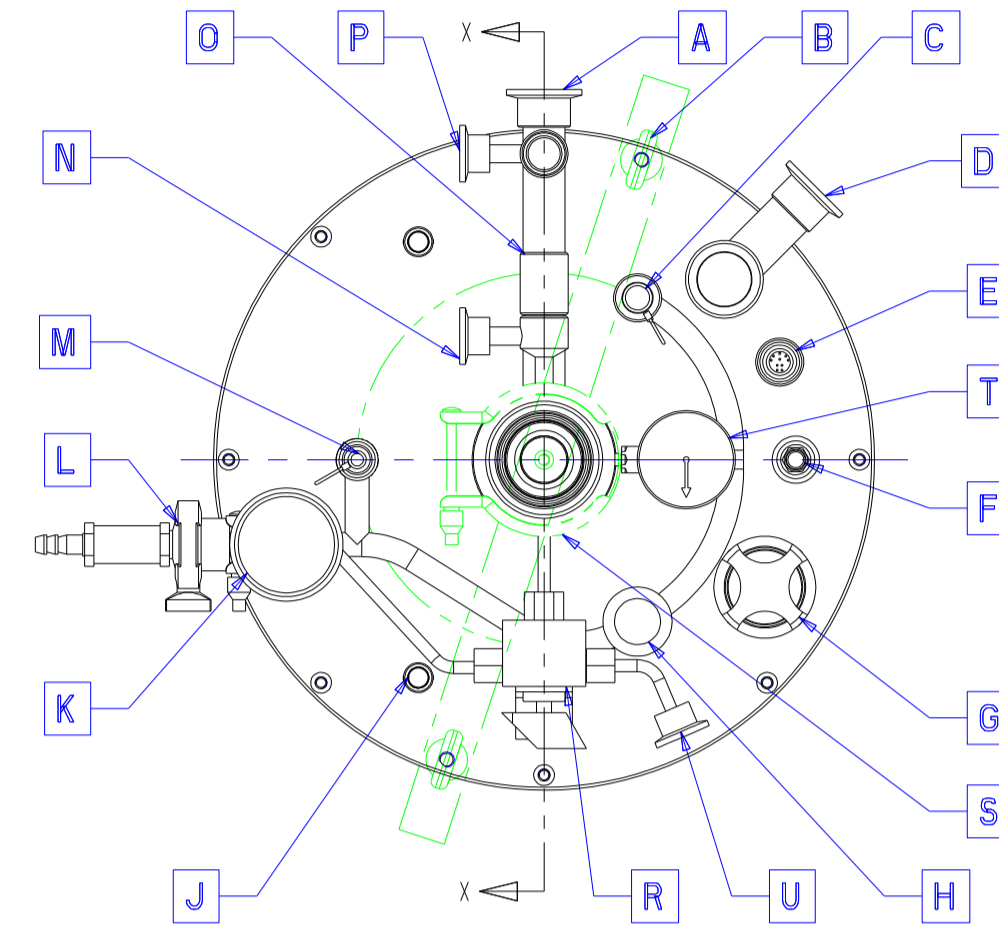
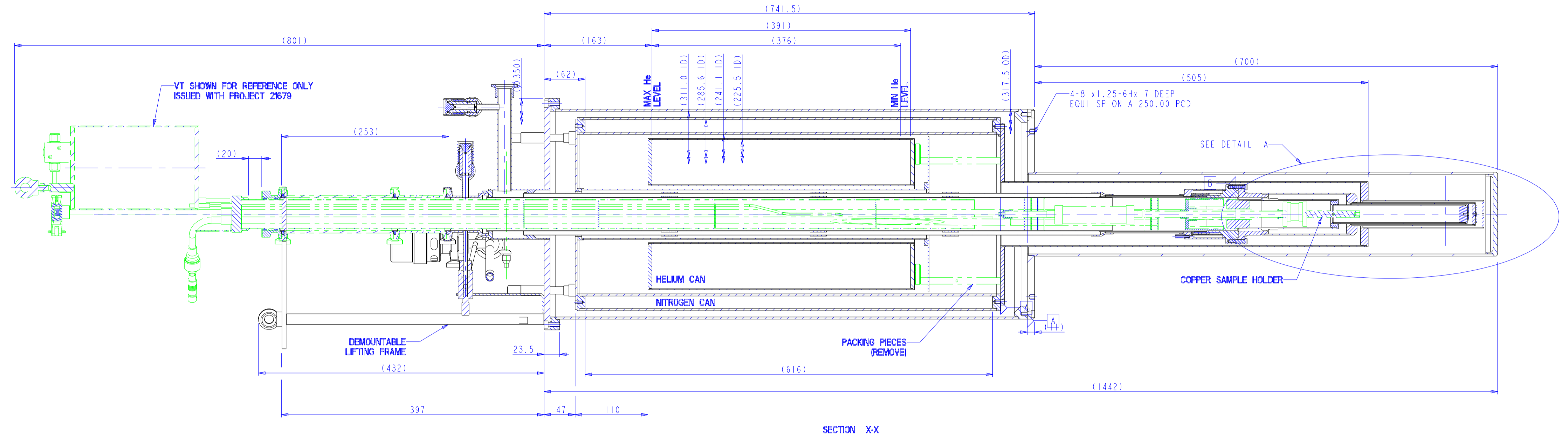


THIRD ANGLE PROJECTION



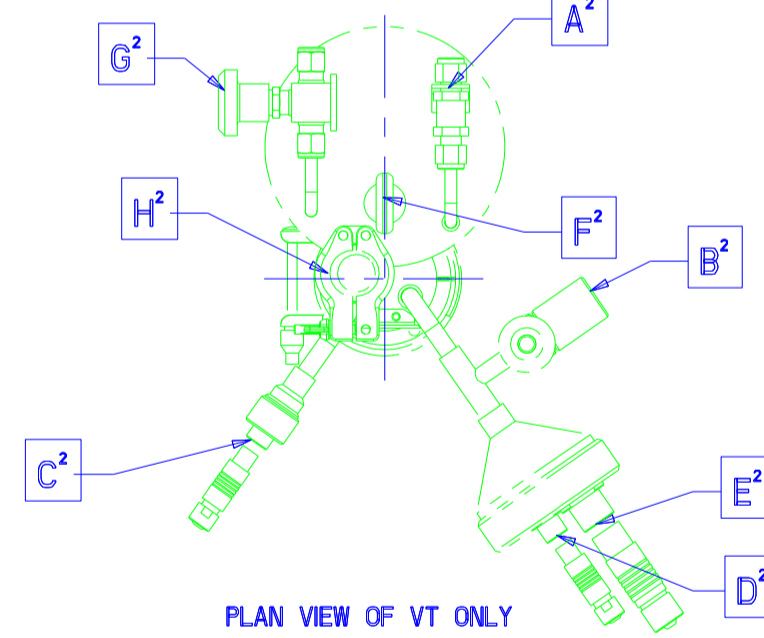
PLAN VIEW WITH VT REMOVED AND LIFTING FRAME SHOWN TRANSPARENT FOR CLARITY



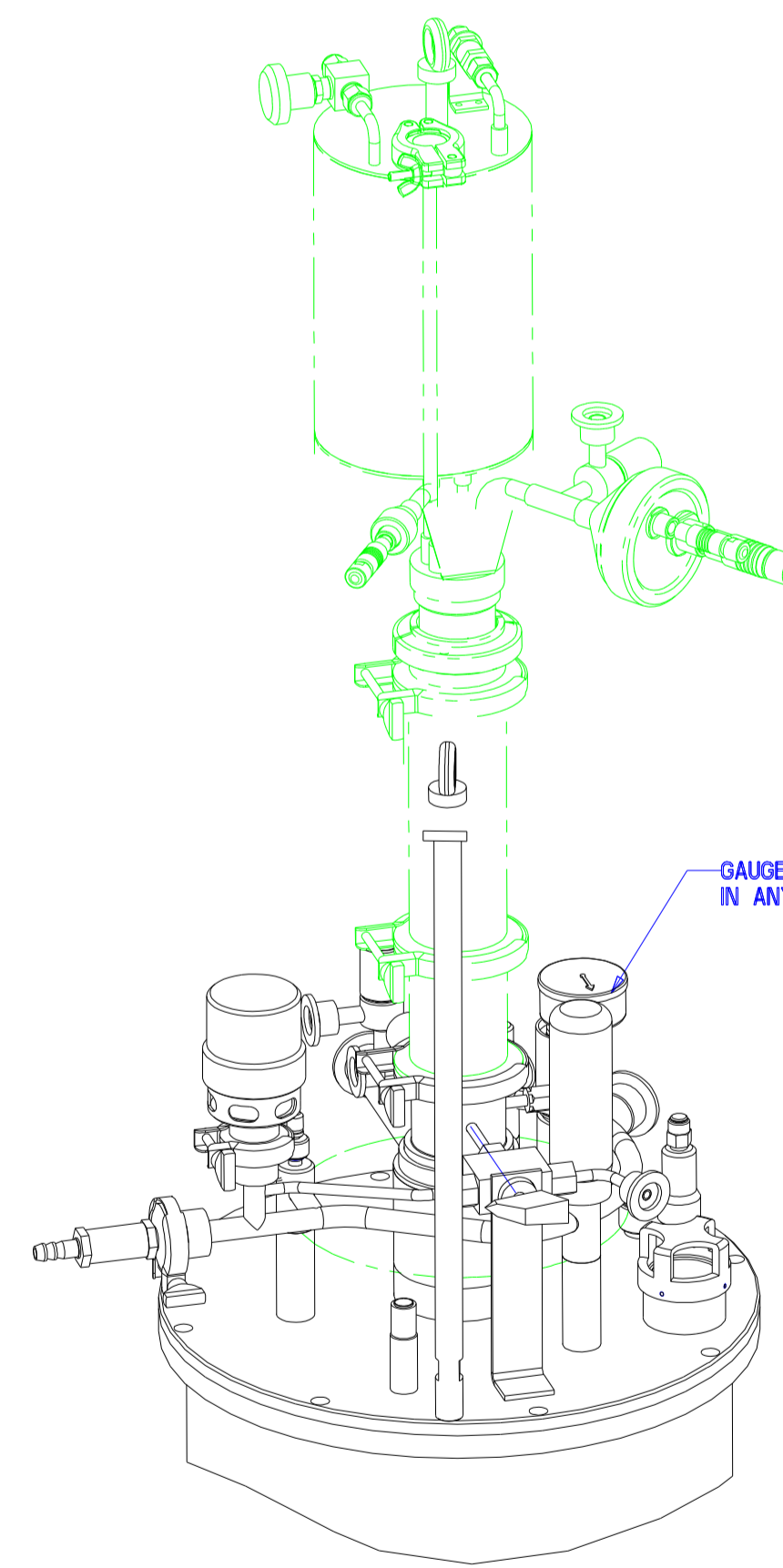
SECTION X-X

ITEM DESCRIPTION - VARIOX BL MK4	SIZE
A HEAT EXCHANGER PUMPING PORT	NW25
B LIFTING EYES M8	150KG
C TRANSFER TUBE ENTRY	∅12.7
D OVC VACUUM VALVE	NW25
E 10 PIN SEAL HEATER/SENSOR	-
F N2 RELIEF VALVE	-
G OVC RELIEF VALVE	25MM
H NEEDLE VALVE	AUTO
J NITROGEN FILLER/EXHAUST PORTS	-
K MAIN BATH RELIEF VALVE	NW25
L MAIN BATH EXHAUST PORT	NW25
M HELIUM LEVEL PROBE ENTRY	∅4.8
N SAMPLE SPACE PUMPING PORT	NW16
O SAMPLE SPACE RELIEF VALVE	-
P HEAT EXCHANGER PUMPING/RELIEF VALVE	NW16
R 1VC 3 WAY VALVE-GYROLOC FITTING	1/4"
S SAMPLE ACCESS PORT	NW50
T PRESSURE GAUGE	+1 BAR
U EXCHANGE GAS ENTRY	NW16

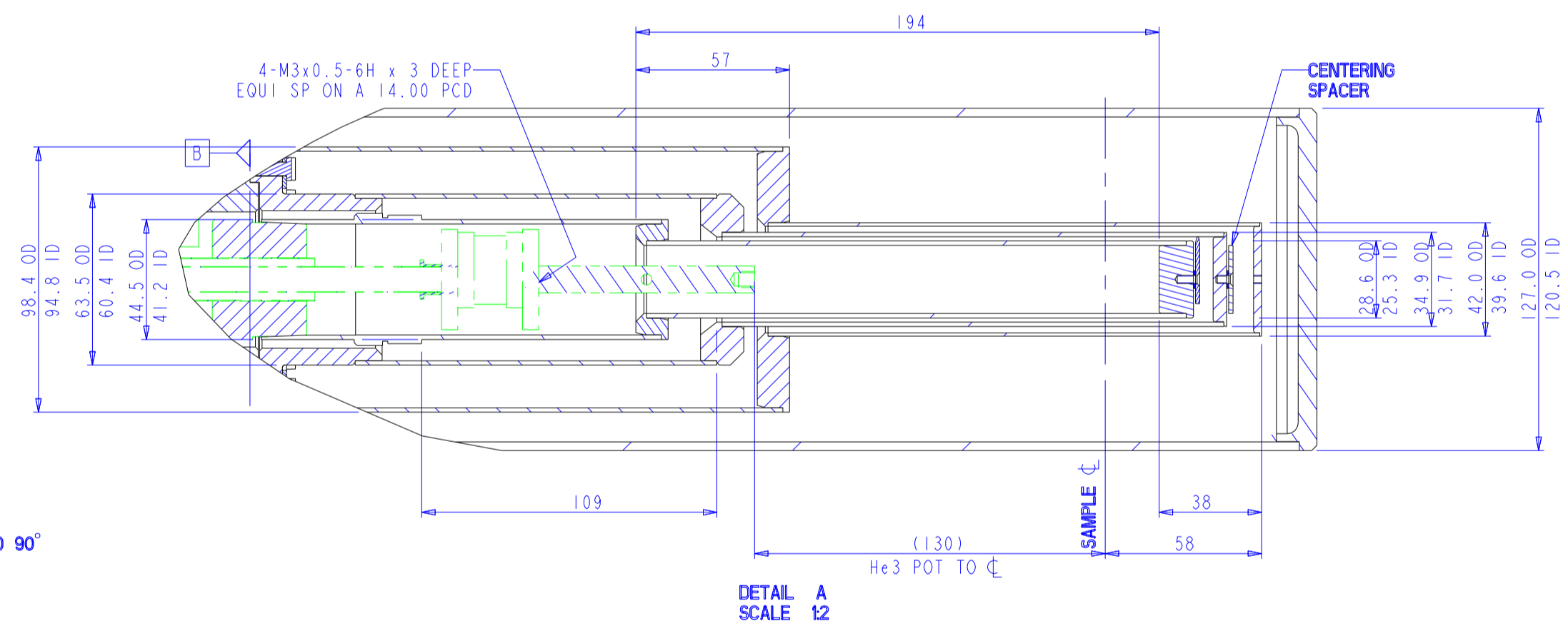
DESCRIPTION - HELIUM VT30 INSERT	
A <sup>2</sup> <sup>3</sup> He DUMP VESSEL SAFETY VALVE	-
B <sup>2</sup> 1VC PUMPING PORT/VALVE	NW16
C <sup>2</sup> 1x10 WAY DIAGNOSTIC WIRING	FISCHER
D <sup>2</sup> 1x10 WAY DIAGNOSTIC WIRING	FISCHER
E <sup>2</sup> 1x24 WAY CUSTOMER WIRING	FISCHER
F <sup>2</sup> LIFTING EYE BOLT	M8
G <sup>2</sup> <sup>3</sup> He DUMP VESSEL VALVE	-
H <sup>2</sup> ∅6mm L.O.S PORT	NW16



PLAN VIEW OF VT ONLY



SCALE 14



DETAIL A SCALE 12

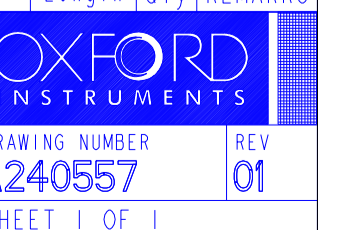
VESSEL VOLUMES		LIQUID HELIUM LEVEL PROBE LENGTHS		LIQUID HELIUM COLD TRAP LENGTHS		HEIGHT REQUIREMENTS		DRAWING APPROVAL	
OUTER VACUUM CAN	11L	OVERALL	659	OVERALL	N/A	MINIMUM HEIGHT REQUIRED TO REMOVE SERVICES FROM CRYOSTAT EXCLUDING WINCH:		PROJECT NUMBER	27925
HELIUM CAN (4He)	16L	ACTIVE	376	TRANSFER TUBE LENGTH		INSERT	4.1M	PROJECT NAME	SCHEUERMANN
USEFUL LIQUID HELIUM	13L	DELIVERY				1000	CUSTOMER SIGNATURE	N/A	DATE
LIQUID NITROGEN JACKET	9.8L			APPROX WEIGHT OF SYSTEM EXCLUDING CRYOGENS : 90KG					
3He DUMP	N/A								

Item	Part No	Description	Length	Qty	REMARKS
9	Z240620	WIRED INSERT ZIMMERMANN - 21679		1	REF
8	VEM0145	CENTRING NW50 VIT C105-17-395		3	REF
7	VEL0011	CLAMPING RING NW50 ST		3	REF
6	PRA0598	AUTO NEEDLE VALVE ASSEMBLY		1	
5	P240674	NW50 SPACER - 76 LG		1	REF
4	P240621	NW50 SPACER - 165 LG		1	REF
3	A240558	HELIUM VT30 BR TAIL		1	
2	A240556	VARIOX 13L BL SYSTEM - 27925		1	
1	A240352	VARIOX BL LIFTING FRAME ASSY - 390LG		1	

THIS DRAWING BELONGS TO OXFORD INSTRUMENTS AND IS ISSUED ON CONDITION THAT IT IS NOT COPIED, REPRODUCED OR DISCLOSED EITHER WHOLLY OR IN PART TO A THIRD PARTY WITHOUT PRIOR CONSENT IN WRITING FROM: OXFORD INSTRUMENTS SUPERCONDUCTIVITY TUBNEY ROAD, HENNINGTON, OXON, OX41 5QJ, ENGLAND A14 REVISION 1 10

DO NOT SCALE IF IN DOUBT ASK REMOVE ALL BURRS AND SHARP EDGES	TOLERANCES UNLESS STATED FOR:		SURFACE FINISH 1.6 UNLESS STATED mm UNLESS STATED
	MACHINING	ASSEMBLY	
X	± 0.5mm	LINEAR ± 1mm	UNLESS STATED mm UNLESS STATED
X.X	± 0.3mm	ANGULAR ± 1°	
X.XX	± 0.1mm	ANGULAR ± 0° 15'	

SCALE	DATE	DRAWN	RELEASE LEVEL	ONLY MANUFACTURE DRAWINGS WHEN RELEASE LEVEL IS SET TO *PRODUCTION*	DRAWING NUMBER	REV
1:4	03-May-06	R.Bennett	Production		A240557	01



SHEET 1 OF 1