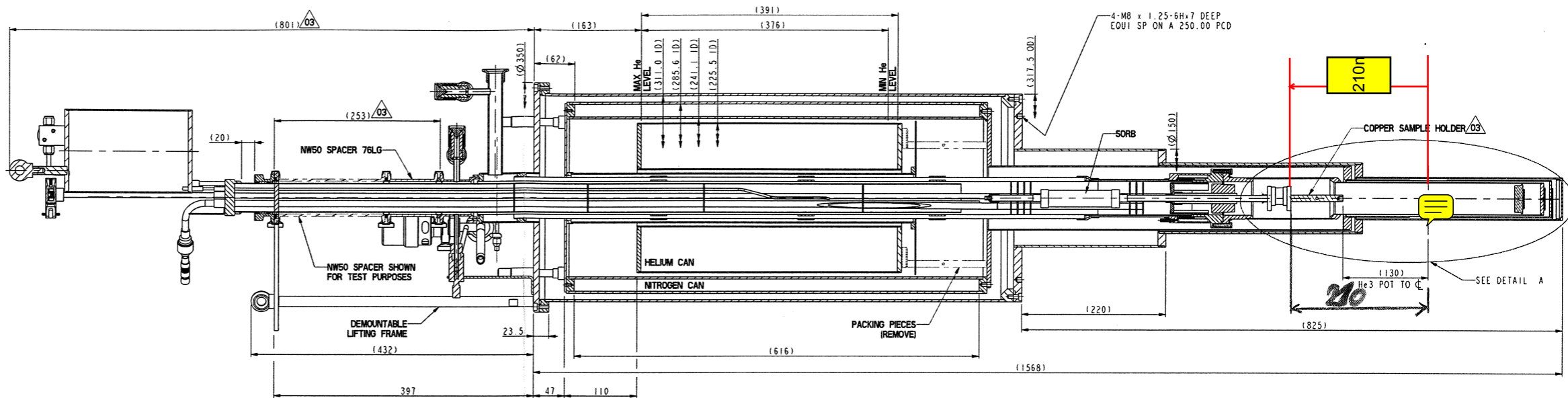


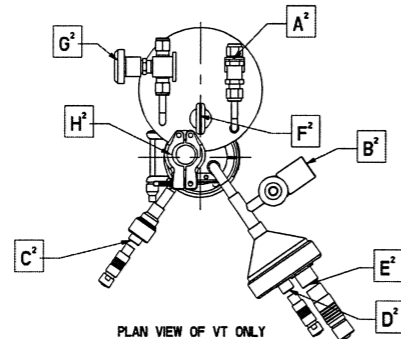
PLAN VIEW WITH VT REMOVED AND LIFTING FRAME SHOWN TRANSPARENT FOR CLARITY



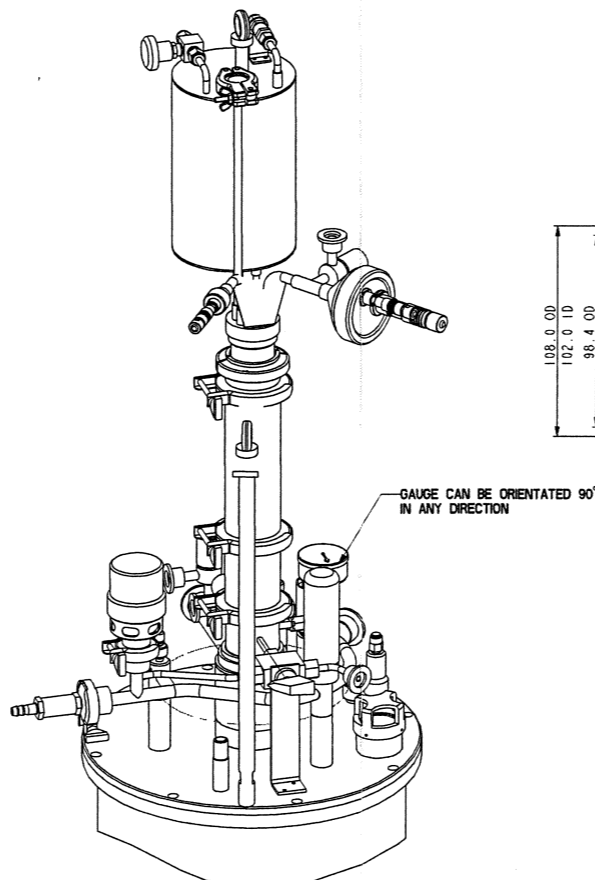
SECTION X-X

ITEM	DESCRIPTION - VARIOX BL MK4	SIZE
A	HEAT EXCHANGER PUMPING PORT	NW25
B	LIFTING EYES M8	150KG
C	TRANSFER TUBE ENTRY	Ø12.7
D	OVC VACUUM VALVE	NW25
E	10 PIN SEAL HEATER/SENSOR	-
F	N2 RELIEF VALVE	-
G	OVC RELIEF VALVE	25MM
H	NEEDLE VALVE	AUTO
J	NITROGEN FILLER/EXHAUST PORTS	-
K	MAIN BATH RELIEF VALVE	NW25
L	MAIN BATH EXHAUST PORT	NW25
M	HELIUM LEVEL PROBE ENTRY	Ø4.8
N	SAMPLE SPACE PUMPING PORT	NW16
O	SAMPLE SPACE RELIEF VALVE	-
P	HEAT EXCHANGER PUMPING/RELIEF VALVE	NW16
R	IVC 3 WAY VALVE-GYROLOC FITTING	1/4"
S	SAMPLE ACCESS PORT	NW50
T	PRESSURE GAUGE	+1 BAR
U	EXCHANGE GAS ENTRY	NW16

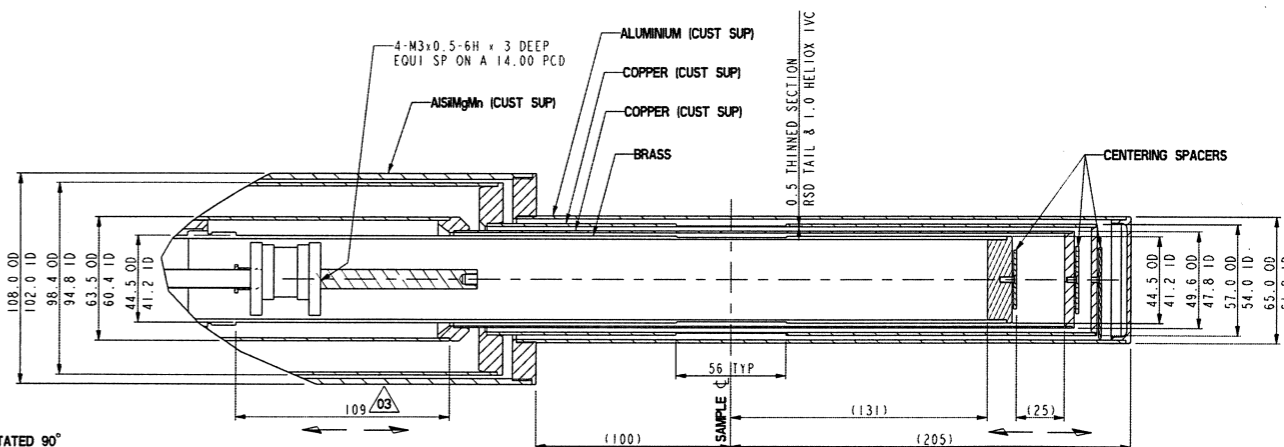
DESCRIPTION - HELIOX VT30 INSERT	
A ²	³ He DUMP VESSEL SAFETY VALVE
B ²	IVC PUMPING PORT/VALVE
C ²	1x10 WAY DIAGNOSTIC WIRING
D ²	1x10 WAY DIAGNOSTIC WIRING
E ²	1x24 WAY CUSTOMER WIRING
F ²	LIFTING EYE BOLT
G ²	³ He DUMP VESSEL VALVE
H ²	Ø6mm L.O.S PORT



PLAN VIEW OF VT ONLY



SCALE 1:4



DETAIL A SCALE 1:2

NOTE: CUST SUP-CUSTOMER WILL SUPPLY THESE TUBES

VESSEL VOLUMES		LIQUID HELIUM LEVEL PROBE LENGTHS		LIQUID HELIUM COLD TRAP LENGTHS		HEIGHT REQUIREMENTS		DRAWING APPROVAL	
OUTER VACUUM CAN	11L	OVERALL	659	OVERALL	N/A	MINIMUM HEIGHT REQUIRED TO REMOVE SERVICES FROM CRYOSTAT EXCLUDING WINCH		PROJECT NUMBER	21679
HELIUM CAN (4He)	16L	ACTIVE	376	TRANSFER TUBE LENGTH		INSERT		PROJECT NAME	ZIMMERMANN
USEFUL LIQUID HELIUM	13L			DELIVERY		4.1M		CUSTOMER SIGNATURE	
LIQUID NITROGEN JACKET	9.8L			1000				DATE	
³ He DUMP	2.5L							APPROX WEIGHT OF SYSTEM EXCLUDING CRYOGENS : 100KG	

THIS DRAWING BELONGS TO OXFORD INSTRUMENTS AND IS ISSUED ON CONDITION THAT IT IS NOT COPIED, REPRODUCED OR DISCLOSED EITHER WHOLLY OR IN PART TO A THIRD PARTY WITHOUT PRIOR CONSENT IN WRITING FROM OXFORD INSTRUMENTS. OXFORD INSTRUMENTS: SORET, WOODS, HATHROW, OXON, OX13 3SQ, ENGLAND. A1A REVISION : 10

DO NOT SCALE IF IN DOUBT ASK REMOVE ALL BURRS AND SHARP EDGES

TOLERANCES UNLESS STATED FOR: MACHINING ASSEMBLY
 X ± 0.5mm
 X.X ± 0.3mm
 X.XX ± 0.1mm
 ANGLE ± 0°15'

SURFACE FINISH 1.6 UNLESS STATED mm UNLESS STATED

DESCRIPTION SYSTEM GA - 21679 ZIMMERMANN SCALE 1:4

DATE 08-Aug-05 DRAWN R. Bennett

RELEASE LEVEL Production ONLY MANUFACTURE DRAWINGS WHEN RELEASE LEVEL IS SET TO 'PRODUCTION'

DRAWING NUMBER A240363 SHEET 1 OF 1

REV 03

Item	Part No	Description	Length	Qty	REMARKS
8	Z240620	WIRED INSERT ZIMMERMANN - 21679		1	
7	VE00145	CENTRING NW50 VIT C105-17-395		3	
6	VEL0011	CLAMPING RING NW50 ST		3	
5	PRAD0598	AUTO NEEDLE VALVE ASSEMBLY		1	
4	P240674	NW50 SPACER - 76 LG		1	
3	P240621	NW50 SPACER - 165 LG		1	
2	A240364	VARIOX 13L BL SYSTEM - 21679		1	
1	A240352	VARIOX BL LIFTING FRAME ASSY - 390LG		1	

